

Kit Contents			
	Description	Part No	Pcs
1	Shock abs. left/right front	POF 5R00	1
2	Spacer	05688-03	1
3	Main spring		1
4	Spring support	05193-07	1
5	Helper spring		1
6	Spring seat, upper	06211-01	1
7	Lock nut	05359-01	1
8	Owner's manual	07446-01	1

👁 Note!

Please note that there can be small differences between your product and the images in these instructions.

👁 Note!

Please note that during storage and transport, especially at high ambient temperature, some of the oil and grease used for assembly may leak and stain the packaging. This will not cause damage to the product, wipe off the excessive oil or grease with a cloth.

👁 Note!

Before you install this product, check the kit contents. If anything is missing, please contact an Öhlins dealer.

⚠ Warning!

Before you install this product, read the Öhlins Owner's manual. This product is an important part of the vehicle and the vehicle stability.

Shock Absorber for Porsche 991 GT3/GT3 RS/GT3 Cup and Porsche 981 Cayman GT4/GT4 CS

POF 5R00

Mounting Instructions



MOUNTING INSTRUCTIONS

⚠ Warning!

We strongly recommend to let an Öhlins dealer install this product.

⚠ Warning!

If you work with a lifted vehicle, make sure that it is safely supported to prevent it from tipping over.

👁 Note!

When you work with this product, see the vehicle service manual for vehicle specific procedures and important data.

👁 Note!

Before you install this product clean the vehicle.

1

Remove the wheel.

2

Remove the two damper clamping screws in the upright.

3

Remove the brake hose attachment.

4

Support the upright so that the brake hose is not damaged.

5

Untighten the three top mount nuts.

6

Remove damper from car by pushing the shock absorber and A-arm down to enable the shock absorber to be angled outward without it hitting the fender.

7

For all models except 991 GT3 Cup: Use spring compressors to preload the spring and then remove the centre top nut of the top mount.

8

For all models, except 991 GT3 Cup:

Put together the OE top mount and OE top spring seat with the main spring, spring support and helper spring.

👁 Note!

Make sure the lower edge of the spring support is facing the helper spring. See fig 2.

For 991 Cup:

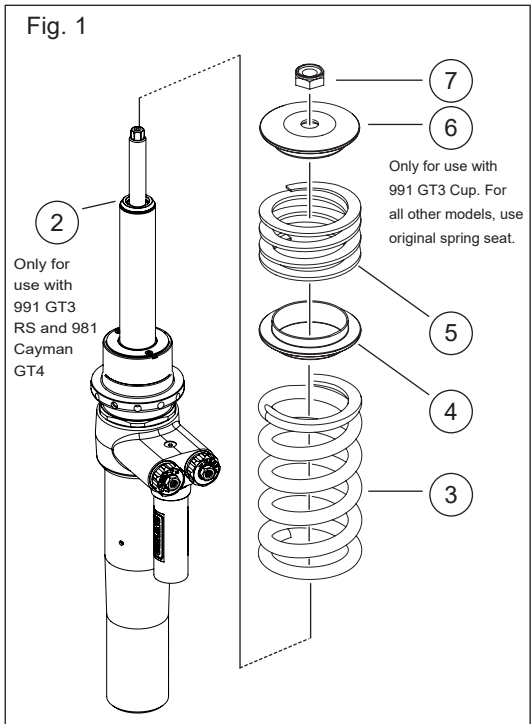
Put together the spring package (spring seat upper, main spring, spring support and helper spring).

👁 Note!

Make sure the lower edge of the spring support is facing the helper spring. See fig 2.

9

Thread the spring package over the damper, together with the OE top mount.



MOUNTING INSTRUCTIONS

10

Attach the top nut to the top pin and tighten.

11

Install the Öhlins shock absorber in the upright bracket with the reservoir bracket pointing towards the front.

12

Angle the shock absorber in under the fender.

13

Tighten the three top mount attachment nuts.

14

Retighten upright clamping screws.

15

Reattach the brake hoses.

16

Reinstall the wheel.

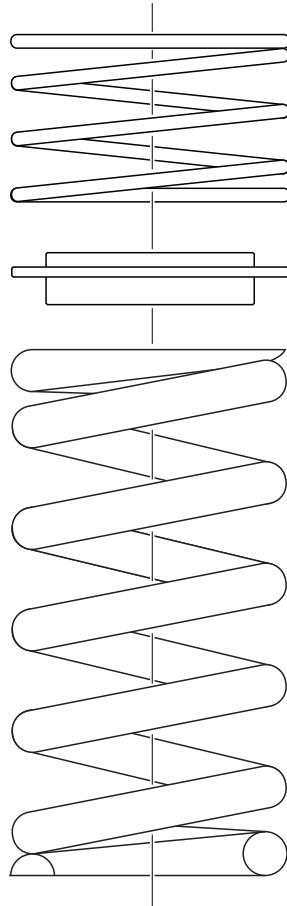
17

After installing all shock absorbers (front and rear), check the vehicle ride height. If necessary, adjust the ride height with spring preload. See Adjustments on the next page for recommended spring adjustment platform positions.

⚠ Caution!

Make sure that all bolts are tightened to the correct torque and that there are no binds and that nothing restricts movement of the shock absorber when the suspension is being fully compressed or extended.

Fig. 2



ADJUSTMENTS

⚠ Warning!

Before you ride/drive, always make sure that the setup is according to the recommended setup data. Read about adjustments and setting up in the Öhlins Owner's Manual before you make any adjustments. Contact an Öhlins dealer if you have any questions about setting up.

SETUP DATA

Compression damping			
Street:	20	clicks	
Track:	15	clicks	
Rebound damping			
Street:	15	clicks	
Track:	15	clicks	

Recommended Springs

Main Spring (120 mm long, 60 mm ID)

Car model	N/mm	Öhlins#	Eibach#
991 GT3, 981 Cayman GT4:	100	48120-17	ERS-120-60-100
991 GT3 RS, 991 GT3 Cup, 981 Cayman GT4 CS:	120	48120-21	ERS-120-60-120

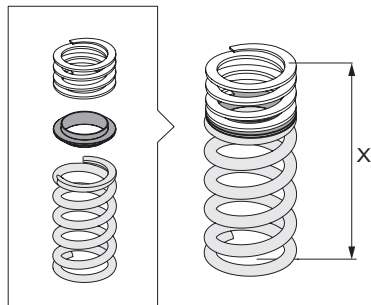
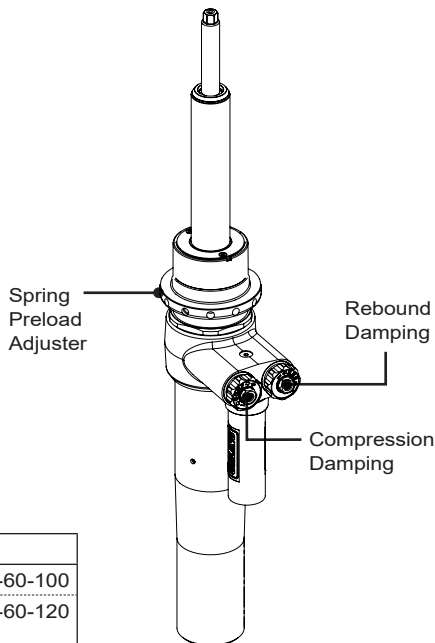
Helper spring

Car model	Öhlins#	Eibach#
981 Cayman GT4/GT4 CS, 991 GT3 Cup	05173-17	ERS-40-60-20
991 GT3, 991 GT3 RS:	05173-12	ERS-60-60-0002

Recommended installed spring package length X

991 GT3, 981 Cayman GT4:	160	mm
991 GT3 RS	158	mm
991 GT3 Cup, 981 Cayman GT4 CS:	158	mm

Measured from upper edge of helper spring to lower part of main spring. Adjust the spring preload adjuster until desired installed spring package length is achieved.



Öhlins products are subject to continuous improvement and development, therefore, although these instructions include the most up-to-date information available at the time of printing, minor updates may occur.

To find the latest information contact an Öhlins distributor. Please contact Öhlins if you have any questions regarding the contents in this document.

Part no. MI_POF 5R00_4
Issued 2018-03-14

© Öhlins Racing AB. All rights reserved. Any reprinting or unauthorized use without the written permission of Öhlins Racing AB is prohibited.

Öhlins Racing AB
Box 722
S-194 27 Upplands Väsby, Sweden
Phone +46 8 590 025 00
fax +46 8 590 025 80



www.ohlins.com