

Adjustments

⚠ Warning!

Before driving, always make sure that the basic settings made by Öhlins are according to recommended Set-up Data. Read about adjustments and setting up in the Öhlins Owner's Manual before you make any adjustments. Contact an Öhlins dealer if you have any questions about setting up the shock absorber.

The standard preload is 2 mm from a free length of 200 mm, giving 198 mm installed length, see fig ④.

Set-up Data

Recommended set-up

Rebound setting

Track	0-7 clicks
Winding road	5-10 clicks
Street	10-20 clicks

Spring preload 2 mm
Shock absorber length 622 mm

Spring

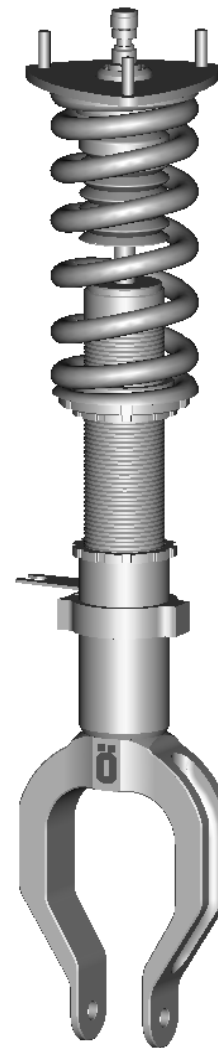
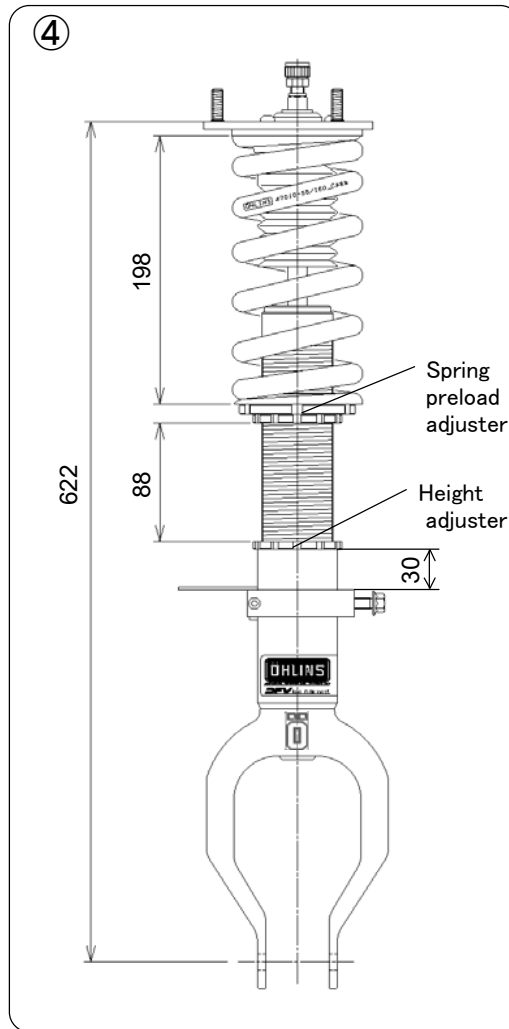
Spec H200, ID65, 160 N/mm

The actual vehicle height

With both the preload and height adjustments in their standard positions, the vehicle is lowered approximately 10mm when compared to the original suspension. As the height adjuster is turned one rotation, the position moves 1.5 mm.

⚠ Warning!

The adjustment range is the standard position ± 15 mm. If the bracket is moved outside the adjustment range, it may come loose.



Before installing this product, check the contents of the kit. If anything is missing, please contact an Öhlins dealer.

Kit Contents	Pcs.
Shock absorber	2
Dust boot	2
Top mount	2
Bearing spacer 1 (with flange)	(2)
Bearing spacer 2 (L=20mm)	(2)
Rubber seat	(2)
Spring	2
Lock nut (M10)	2
ABS bracket	2
Plate 1 (long)	2
Plate 2 (short)	2
Bolt (M5 long)	2
Bolt (M5 short)	4
Bolt (M8)	2

MOUNTED ON SHOCK ABSORBER
Adjuster 2

USED FOR BOTH FRONT AND REAR

C-spanner 1	1
C-spanner 2	1
Öhlins sticker	1
Öhlins Owner's Manual	1

Please note that during storage and transportation, especially at high ambient temperature, some of the oil and grease used for assembling may leak and stain the packaging. This is in no way detrimental to the product, wipe off the excess oil/grease with a cloth.

⚠ Warning!

Before installing this product, read the Öhlins Owner's Manual. The shock absorber is an important part of your vehicle and will affect the stability.

© Öhlins products are subject to continuous improvement and development, therefore, although these instructions include the most up-to-date information available at the time of printing, minor updates may occur.

To find the latest information contact your Öhlins distributor. Please consult your Öhlins dealer if you have any questions regarding the contents in this document.

Part no. NISMI20_1
Issued 2012-07-30



Shock Absorber Kit for Nissan GT-R (R35)

NIS MI20 front

Mounting Instructions

© Öhlins Racing AB. All rights reserved. Any reprinting or unauthorized use without the written permission of Öhlins Racing AB is prohibited.

Öhlins Racing AB



www.ohlins.com



How to install

⚠ Warning!

It is advisable to have an Öhlins dealer install the shock absorber.

When installing, read your Vehicle Service Manual.



1

Raise the vehicle and put it on jack stands.

⚠ Warning!

Ensure that it is securely supported.

2

Remove the front wheels.

3

Remove the lower and the upper attachments and remove the original shock absorbers.

4

Cut the dust boot 82 mm from the lower end with a pair of scissors according to fig ②.

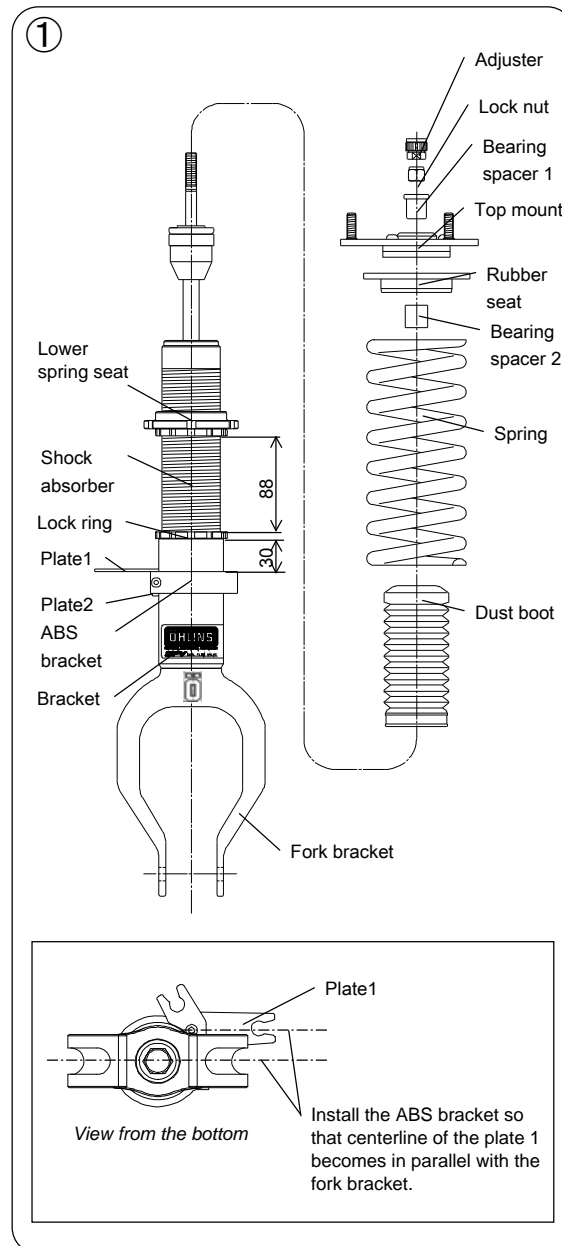
5

Remove the shock absorber from the bracket with the fork bracket

Fit the ABS bracket to the shock absorber with the bolt (M5 long) according to fig ①. Tighten the bolt to 10 Nm.

6

Fit the Plate 1 and the Plate 2 to the ABS bracket with the bolt (M5 short) according to fig ① and ③. Tighten the bolt to 10 Nm.



7

Fit the shock absorber to the bracket with fork bracket according to fig ①. Tighten the lower spring seat and the lock ring to 50 - 60 Nm. Fit the the dust boot, the spring and the top mount according to fig ①. Tighten the lock nut to 20 Nm.

Fit the the adjuster. Tighten the adjuster to 5 Nm.

👁 Note!

When tightening the top mount nut, the shock absorber shaft must be held in position with a 4 mm Allen key.

8

Install the Öhlins shock absorbers on the vehicle.

9

Fasten the upper attachments.

👁 Note!

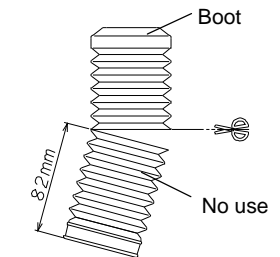
Make sure that all bolts are tightened to the correct torque and that nothing fouls or restricts movement of the shock absorber when it is being fully compressed or extended.

10

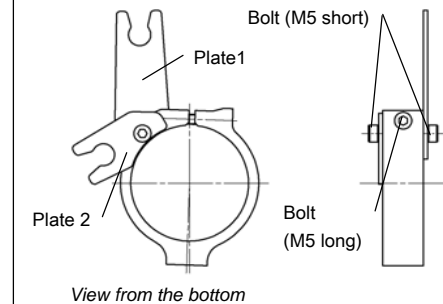
Make sure that all removed parts are reinstalled in the same way as they were before the installation of the Öhlins shock absorber.

How to install

②



③



View from the bottom

Adjustments

▲ Warning!

Before driving, always make sure that the basic settings made by Öhlins are according to recommended Set-up Data. Read about adjustments and setting up in the Öhlins Owner's Manual before you make any adjustments. Contact an Öhlins dealer if you have any questions about setting up the shock absorber.

The standard preload is 2 mm from a free length of 250 mm, giving 248 mm installed length, see fig ④.

Set-up Data

Recommended set-up

Rebound setting

Track	0-7 clicks
Winding road	5-10 clicks
Street	10-20 clicks

Spring preload 2 mm

Shock absorber length 590 mm

Spring

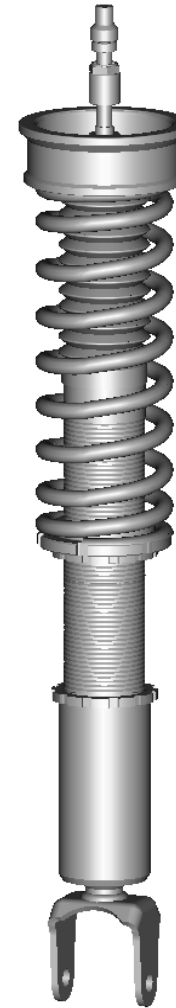
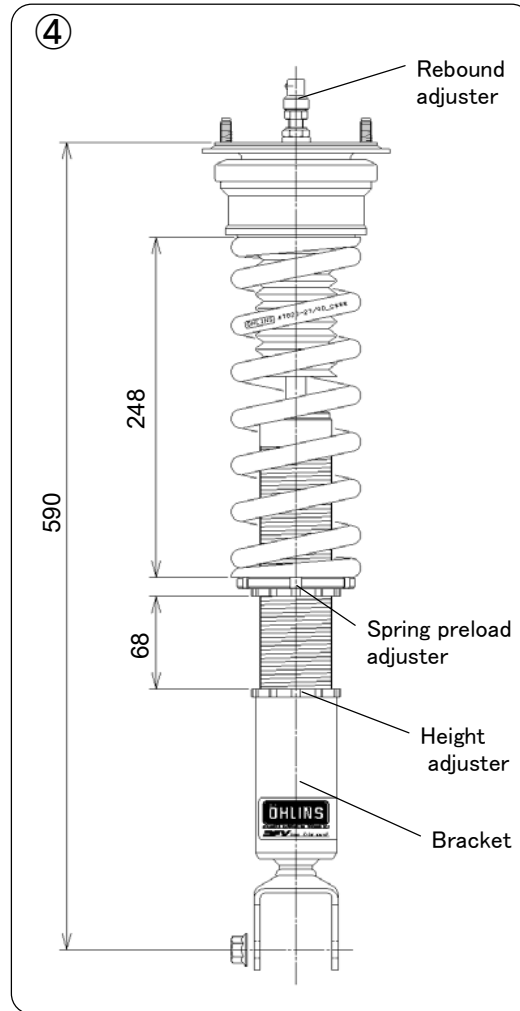
Spec H248, ID65, 90 N/mm

The actual vehicle height

With both the preload and height adjustments in their standard positions, the vehicle is lowered approximately 10 mm when compared to the original suspension. As the height adjuster is turned one rotation, the position moves 1.5 mm.

▲ Warning!

The adjustment range is the standard position ± 15 mm. If the bracket is moved outside the adjustment range, it may come loose.



Before installing this product, check the contents of the kit. If anything is missing, please contact an Öhlins dealer.

Kit Contents	Pcs.
Shock absorber	2
Dust boot	2
Upper seat	2
Rubber seat	2
Spring	2
Screw (M4)	2
Control wire	2
Handle	2
Lock nut (M10)	2
Allen key	1
Spacer 1 (t=15)	1
Spacer 2 (t= 20)	2
Nut (M12)	2

MOUNTED ON SHOCK ABSORBER
Adjuster 2

USED FOR BOTH FRONT AND REAR

C-spanner 1	1
C-spanner 2	1
Öhlins sticker	1
Öhlins Owner's Manual	1

Please note that during storage and transportation, especially at high ambient temperature, some of the oil and grease used for assembling may leak and stain the packaging. This is in no way detrimental to the product, wipe off the excess oil/grease with a cloth.

▲ Warning!

Before installing this product, read the Öhlins Owner's Manual. The shock absorber is an important part of your vehicle and will affect the stability.

© Öhlins products are subject to continuous improvement and development, therefore, although these instructions include the most up-to-date information available at the time of printing, minor updates may occur.

To find the latest information contact your Öhlins distributor. Please consult your Öhlins dealer if you have any questions regarding the contents in this document.



Part no. NISMI20_0
Issued 2012-07-10

© Öhlins Racing AB. All rights reserved. Any reprinting or unauthorized use without the written permission of Öhlins Racing AB is prohibited.

Öhlins Racing AB



www.ohlins.com

Shock Absorber Kit for Nissan GT-R (R35)

NIS MI20 rear

Mounting Instructions



How to install

⚠ Warning!

It is advisable to have an Öhlins dealer install the shock absorber.
When installing, read your Vehicle Service Manual.



1
Raise the vehicle and put it on jack stands.

⚠ Warning!

Ensure that it is securely supported.

2
Remove the rear wheels.

3
Remove the lower and the upper attachments and remove the original shock absorbers.

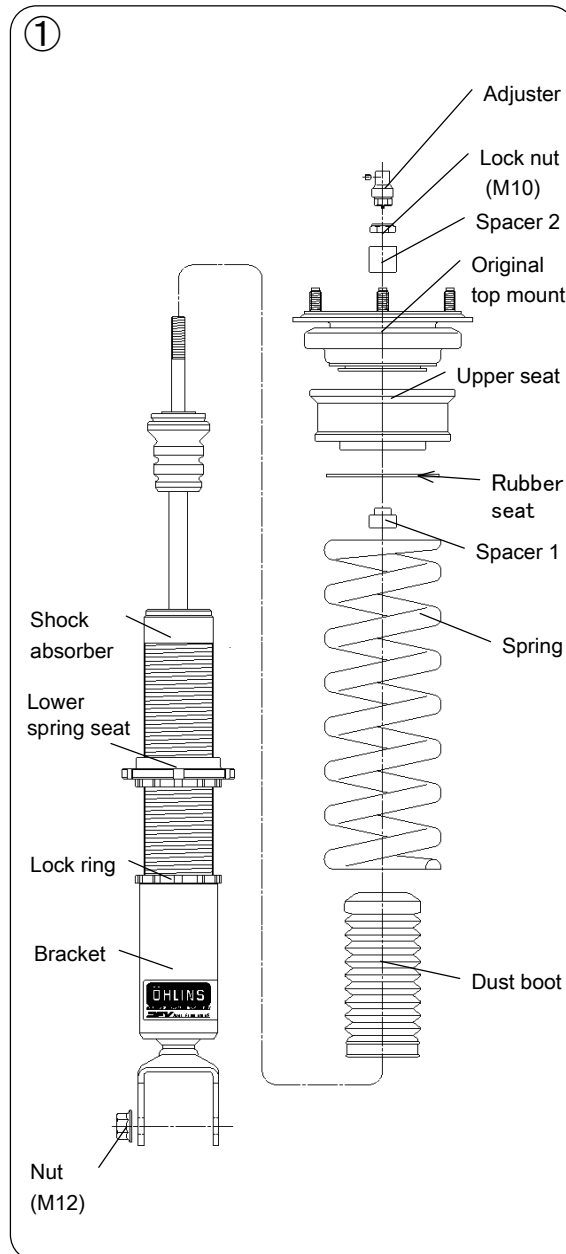
4
Tighten the lower spring seat and the lock nut to 50 - 60 Nm.
Fit the dust boot, the spring, the rubber seat, the upper seat, the top mount and the adjuster according to fig ①. Tighten the lock nut to 20 Nm.

👁 Note!

When tightening the top mount nut, the shock absorber shaft must be held in position with a 4 mm Allen key.

5
Install the Öhlins shock absorbers on the vehicle.

6
Fasten the upper attachments.



👁 Note!

Make sure that all bolts are tightened to the correct torque and that nothing fouls or restricts movement of the shock absorber when it is being fully compressed or extended.

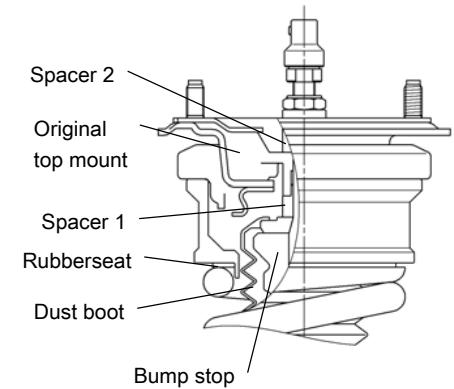
7
Make sure that all removed parts are reinstalled in the same way as they were before the installation of the Öhlins shock absorber.

8
Sub-assemble the wire. (Fasten the handle by tightening the M4 screw.)
As shown in the fig ③, insert the wire through the oval hole in the speaker board and run it inside the vehicle. Insert the top end of the wire into the adjuster and fasten it with the supplied Allen key.

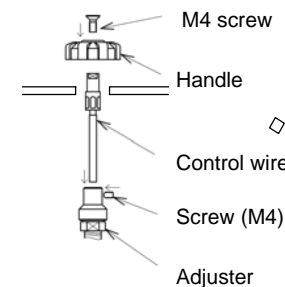
How to install

② 👁 Note!

Install the boot between the rubber spacer and the bump stop.

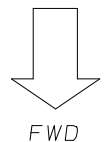


③



Make a $\varnothing 12$ hole in the speaker board in the shown position.

35 mm
30 mm
 $\varnothing 12$ mm



Left side of vehicle