

Kit Contents		
Description	Part No	Pcs
Shock ab S46HR1C1S	YA 707	1
Nut M6	00430-02	2
Nut M5	00430-04	3
Screw M12x1.25x55	00439-16	1
Screw MC6S 5x16	01046-18	2
Screw MC6S 5x22	01046-26	1
Bracket Yam FJR 1300	01082-05	1
Bracket gas reservoir	01165-11	1
Lock nut M12x1.25	01501-01	1
Spacer 6.5/12/11.8	04785-07	2
Reservoir bracket	05378-10	1
Screw K6S M6x35	05404-10	2
Öhlins Sticker	00192-01	2
Memo Notes Sticker	01180-01	1
Owner's Manual	07241-02	1

Note!

Please note that there can be small differences between your product and the images in these instructions.

Note!

Please note that during storage and transport, especially at high ambient temperature, some of the oil and grease used for assembly may leak and stain the packaging. This will not cause damage to the product, wipe off the excessive oil or grease with a cloth.

Note!

Before you install this product, check the kit contents. If anything is missing, please contact an Öhlins dealer.

Warning!

Before you install this product, read the Öhlins Owner's manual. This product is an important part of the vehicle and the vehicle stability.

Shock absorber for Yamaha FJR 1300

YA 707

Mounting Instructions



MOUNTING INSTRUCTIONS

⚠ Warning!

We strongly recommend to let an Öhlins dealer install this product.

⚠ Warning!

If you work with a lifted vehicle, make sure that it is safely supported to prevent it from tipping over.

👁 Note!

When you work with this product, see the vehicle service manual for vehicle specific procedures and important data.

👁 Note!

Before you install this product clean the vehicle.

1

Put the motorcycle on a work stand so that the rear wheel barely touches the ground.

2

Remove the sidecases.

3

Remove the seats and the side fairings.

4

Loosen the original spring preload adjuster, and the gear shift assistant motor.

5

Loosen the link arm from the triangle link.

6

First loosen the lower shock absorber attachment then the upper.

7

Remove the original shock absorber.

8

Install the Öhlins shock absorber in position and attach it to the upper bracket. Do not tighten yet.

👁 Note!

Make sure the spring preload adjuster is on the left side and the gas reservoir on the right side of the bike.

9

Attach the shock absorber to the lower bracket. Use the supplied bolt (00439-16) and nut (01501-01).

👁 Note!

Lower the vehicle so that the suspension is slightly compressed before you tighten the screws.

10

Tighten the upper and the lower attachments. Fasten the link arm back to the triangle link.

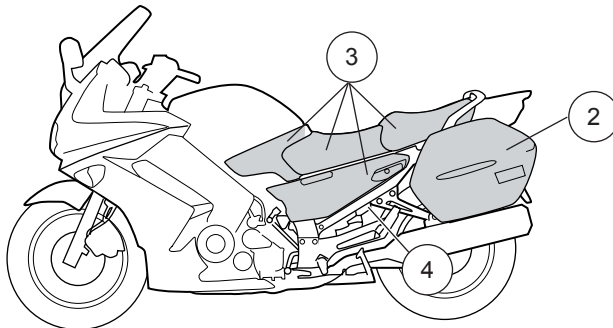
11

Install the hydraulic preload adjuster bracket (01082-05) on the left side of the rear sub frame using the original screws.

12

Use the supplied screws (05404-10), spacers (04785-07 and nuts (00430-02) to attach the spring preload adjuster to the bracket.

13



MOUNTING INSTRUCTIONS

Loosen the bracket holding the right silencer from the rear subframe by removing the screws.

14

Assemble the gas reservoir holder according to the sketch.

⚠ Caution!

Do not tighten the screw holding the reservoir in the bracket.

15

Fit the gas reservoir bracket between the exhaust bracket and the subframe and tighten the screws. Use the original screws.

16

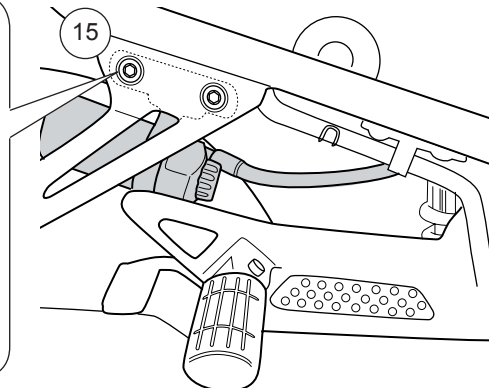
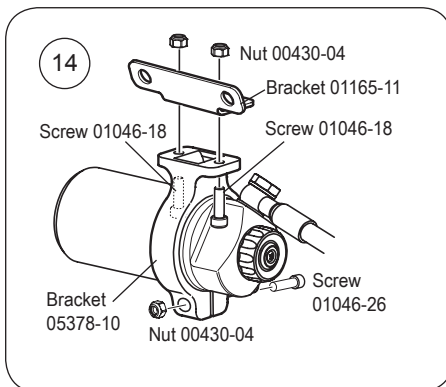
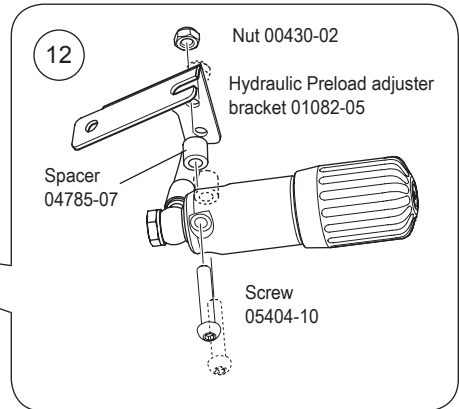
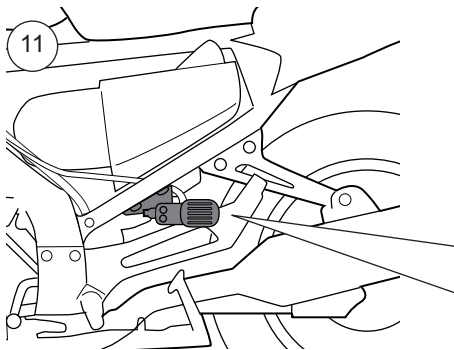
Secure the gas reservoir in the bracket by tightening the bracket screw.

17

Put the gear shift assistant motor, fairings and seats back in position

⚠ Caution!

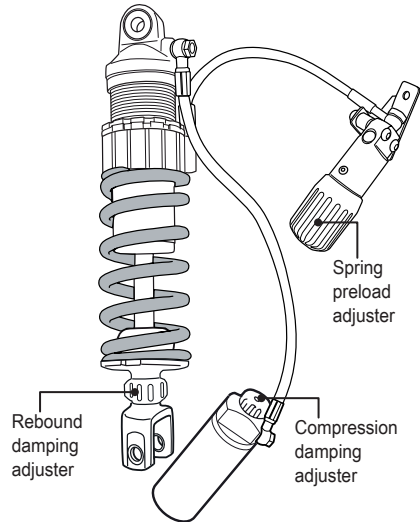
Make sure that you tighten all screws to the correct torque and that nothing fouls or restricts movement of the shock absorber/front fork/steering damper when the suspension is fully compressed or extended.



ADJUSTMENTS

⚠ Warning!

Before you ride/drive, always make sure that the setup is according to the recommended setup data. Read about adjustments and setting up in the Öhlins Owner's Manual before you make any adjustments. Contact an Öhlins dealer if you have any questions about setting up.



SETUP DATA

Length	326,5	mm
Stroke	62,5	mm
Rebound	16	clicks
Compression	12	clicks
Spring preload	14	mm
Spring	01092-49	
Spring rate	130	N/mm

Öhlins products are subject to continuous improvement and development, therefore, although these instructions include the most up-to-date information available at the time of printing, minor updates may occur.

To find the latest information contact an Öhlins distributor. Please contact Öhlins if you have any questions regarding the contents in this document.

Part no. MI_YA707_3
Issued 2013-11-22



© Öhlins Racing AB. All rights reserved. Any reprinting or unauthorized use without the written permission of Öhlins Racing AB is prohibited.

Öhlins Racing AB
Box 722
S-194 27 Upplands Väsby, Sweden
Phone +46 8 590 025 00
fax +46 8 590 025 80



www.ohlins.com