

Adjustments

This Öhlins shock absorber features:

Spring pre-load adjuster

Adjust the spring pre-load by turning the rings on the cylinder house. Use a C-spanner.

Rebound damping adjuster

Adjust by turning the wheel on the shaft above the end eye bracket.

Length adjuster

Loosen the length adjuster lock nut. Adjust the length by turning the end eye. Tighten the lock nut.

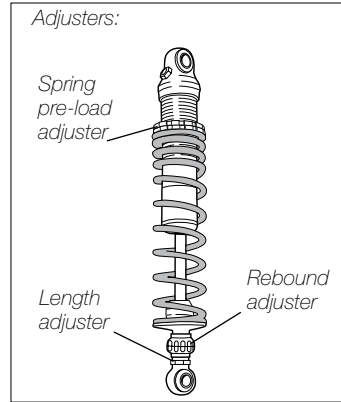
NOTE!

When delivered the Öhlins shock absorber is dialed to recommended settings for the specific brand and make of the motorcycle. If you have changed the settings, reset according to the following:

The adjusters have a normal right hand thread. Turn the damping adjusters clockwise to fully closed (pos. zero [0]). Turn counter clockwise to open and count the clicks until you reach the recommended number. See set-up data.

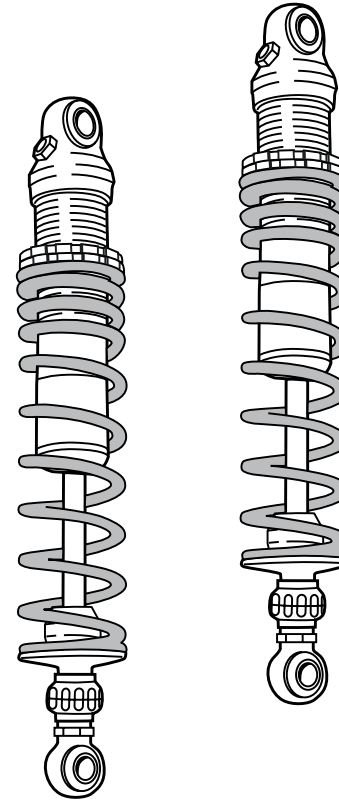
CAUTION!

Do not use too much force, delicate sealing surfaces can be damaged.



Mounting Instructions

Öhlins shock absorber kit TR 538
for Triumph Thruxton



Kit Contents

Before installing the shock absorber, please check the contents of the kit. If anything is missing, please contact your Öhlins dealer.

Description	Article no.
Shock absorber 36DRL	TR 538 (2)
C-spanner	00710-01 (1)
Sticker Öhlins	00192-01 (2)
Sticker memo notes	01180-01 (1)
Owner's manual	(1)

Before Installing

Öhlins Racing AB cannot be held responsible for any damage to shock absorber or vehicle, or injury to persons, if the instructions for fitting and maintenance are not followed exactly.

Similarly, the warranty will become null and void if the instructions are not adhered to.

Öhlins products are subject to continuous improvement and development. Consequently, although these instructions include the most up-to-date information available at the time of printing, there may be minor differences between your shock absorber and this manual. Please consult your Öhlins dealer if you have any questions regarding the contents of this manual.

TR 538, issued 2005 12 07



Öhlins Racing AB, Box 722, S-194 27 Upplands Väsby, Sweden.
Phone +46 8 590 025 00. Fax +46 8 590 025 80.

www.ohlins.com

© Öhlins Racing AB. All rights reserved. Any reprinting or unauthorized use without the written permission of Öhlins Racing AB is prohibited. Printed in Sweden.



Safety Signals

Important information concerning safety is distinguished in this manual by the following notations:



The Safety alert symbol means: Attention! Your safety is involved.

WARNING!

Failure to follow these warning instructions could result in **severe or fatal injury** to anyone working with, inspecting or using the shock absorber, or to bystanders.

CAUTION!

Caution indicates that special precautions must be taken to avoid damage to the shock absorber.

NOTE!

Indicates information that is of importance regarding mounting procedures.

WARNING!

1. Installing a shock absorber, that is not approved by the vehicle manufacturer, may affect the stability of your vehicle. Öhlins Racing AB cannot be held responsible for any personal injury or damage that may occur after fitting the shock absorber. Contact an Öhlins dealer or other qualified person for advice.

2. Please study and make certain that you fully understand all the mounting instructions and the owner's manual before handling this shock absorber kit. If you have any questions regarding proper installation procedures, contact an Öhlins dealer or other qualified person.

3. The vehicle service manual must be referred to when installing the Öhlins shock absorber

NOTE!

During storage and transportation, especially at high ambient temperature, the oil and grease used for assembling may run out inside the packing and damage the expanded polystyrene packing material. This is not unusual and is in no way detrimental to the shock absorber.

Mounting Instructions

WARNING!

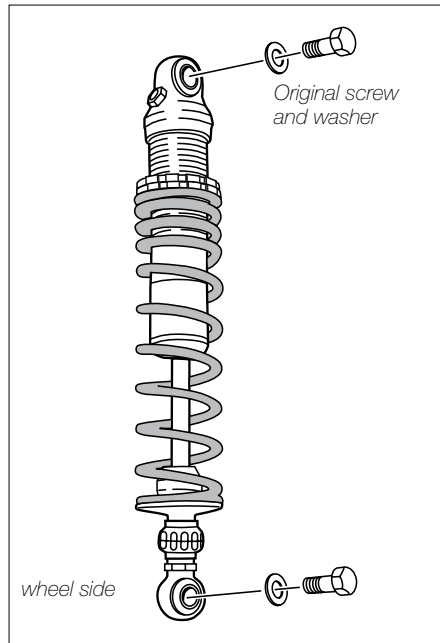
1. It is advisable to have an Öhlins dealer or other qualified person install the shock absorber.
2. Follow the instructions in the vehicle service manual when changing the shock absorber.
3. When working on a raised vehicle, make sure that it is securely supported to prevent it from falling.

1

Put the motorcycle on a workstand so that the rear wheel is off the ground. **Make sure it is securely supported so that the vehicle will not fall over.**

2

Loosen and remove the original shock absorbers. **Consult your motorcycle's workshop manual!**



3

Attach the Öhlins shock absorbers in the same way as the original units. Use the original screw and washers.

NOTE!

The shock absorber should be installed so that the cylinder head is upwards.

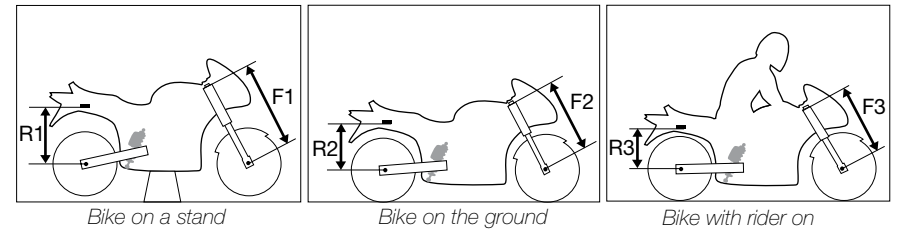
4

Continue your work according to your Öhlins Owner's manual, section Adjustments.

NOTE!

Make sure that all bolts are tightened to the correct torque and that nothing fouls or restricts movement of the shock absorber when the suspension is being fully compressed or extended.

Check sag and ride height



Front suspension

- F1. Bike on a stand with the suspension fully extended =
- F2. Bike on the ground without rider =
- F3. Bike on the ground with rider =
- Free sag $F1 - F2 = \dots\dots\dots$
- Ride height $F1 - F3 = \dots\dots\dots$

Rear suspension

- R1. Bike on a stand with the suspension fully extended =
- R2. Bike on the ground without rider =
- R3. Bike on the ground with rider =
- Free sag $R1 - R2 = \dots\dots\dots$
- Ride height $R1 - R3 = \dots\dots\dots$

Set-up data

Shock absorber length	375+10-0mm
Shock absorber stroke	101 mm
Spring pre-load	10 mm
Rebound damping adj	20 clicks

NOTE!

Read more about sag and ride height and different settings in your Öhlins Owner's manual.