

Note!

Please note that there can be small differences between your product and the images in these instructions.

Note!

Please note that during storage and transport, especially at high ambient temperature, some of the oil and grease used for assembly may leak and stain the packaging. This will not cause damage to the product, wipe off the excessive oil or grease with a cloth.

Note!

This product may interfere with the filter box and air intake channel on this bike. The interference is mainly between the spring and the above mentioned components. The interference is equal in comparison to that of the stock spring. None of the interference is harmful to the shock absorber and/or the motorcycle function.

Kit Contents

Description	Part No	Pcs
Shock absorber	KT 1982 KT 1984	1
Spring clip	15087-01	1
Screw M12x1.25	15209-10	1
Owner's manual	07253-04	1
Sticker Öhlins		1
Sticker service schedule	15211-01	1
MX fork & shock.		

Note!

No spring included in this kit. See the spring guide in this folder or contact an Öhlins dealer for advice.

Note!

Before you install this product, check the kit contents. If anything is missing, please contact an Öhlins dealer.

Warning!

Before you install this product, read the Öhlins Owner's manual. This product is an important part of the vehicle and the vehicle stability.

TTX46 Shock absorber for KTM 250/300 EXC, 250 EXC-F, 150/250/300 XC-W USA/CAN/AUS/NZ/MEX

KT 1982/84

Mounting Instructions



MOUNTING INSTRUCTIONS

Install the Shock Absorber

Warning!

We strongly recommend to let an Öhlins dealer install this product.

Warning!

If you work with a lifted vehicle, make sure that it is safely supported to prevent it from tipping over.

Note!

When you work with this product, see the vehicle service manual for vehicle specific procedures and important data.

Note!

Before you install this product clean the vehicle.

1

Put the motorcycle on a work stand so that the rear wheel barely touches the ground.

2

Refer to the vehicle manual to install the Öhlins shock absorber.

3

Use screw 15209-10 for the lower fastening point.

Note: Torque to 40Nm

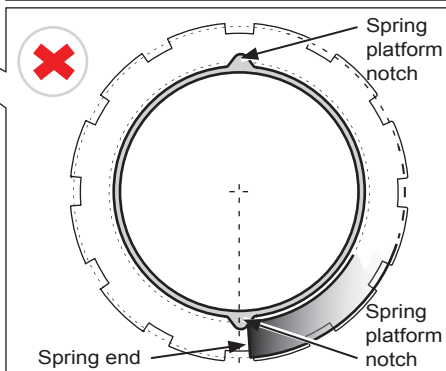
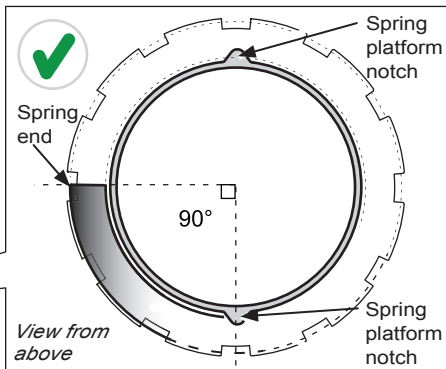
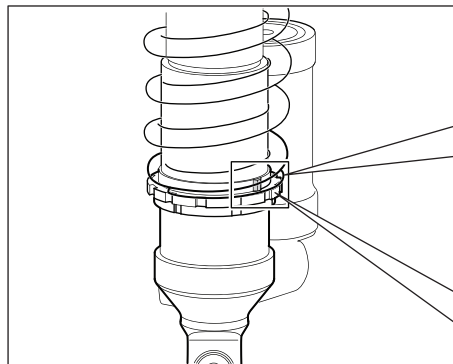
Note!

Lower the vehicle so that the suspension is slightly compressed before you tighten the screws.

Caution!

Make sure that you tighten all screws to the correct torque and that nothing fouls or restricts movement of the shock absorber/front fork/steering damper when the suspension is fully compressed or extended.

MOUNTING INSTRUCTIONS



SETUP DATA

Length	415	mm
Stroke	100	mm
Spring preload approx.	10 (5)	mm (turns)
Compr. low speed	6	clicks
Rebound	9	clicks

Free Sag and Ride Height		
R1-R2	35±5	mm
R1-R3	110±5	mm

SPRING GUIDE

EXC/EXC SIX DAYS		
Rider's weight* kg/pounds	Spring part no	Spring rate N/mm
60/132	06320-14	60
65/143	06320-15	62
70/154	06320-15	62
75/165	06320-16	64
80/176	06320-16	64
85/187	06320-17	66
90/198	06320-17	66
95/209	06320-18	68
100/220	06320-18	68
105/231	06452-06	70
110/242	06452-07	72
115/253	06452-08	75

EXC-F/EXC-F SIX DAYS		
Rider's weight* kg/pounds	Spring part no	Spring rate N/mm
60/132	06320-15	62
65/143	06320-16	64
70/154	06320-16	64
75/165	06320-17	66
80/176	06320-17	66
85/187	06320-18	68
90/198	06320-18	68
95/209	06452-06	70
100/220	06452-06	70
105/231	06452-07	72
110/242	06452-08	75
115/253	06452-08	75

**Rider's weight: Rider wearing proper riding gear. Make sure you know your total weight with riding gear. Riding gear weighs between 5 and 15 kg.*

Öhlins products are subject to continuous improvement and development, therefore, although these instructions include the most up-to-date information available at the time of printing, minor updates may occur.

To find the latest information contact an Öhlins distributor. Please contact Öhlins if you have any questions regarding the contents in this document.

Part no. MI_KA 1982/84
Issued 2018-06-21

© Öhlins Racing AB. All rights reserved. Any reprinting or unauthorized use without the written permission of Öhlins Racing AB is prohibited.

Öhlins Racing AB
Box 722
S-194 27 Upplands Väsby, Sweden
Phone +46 8 590 025 00
fax +46 8 590 025 80



www.ohlins.com