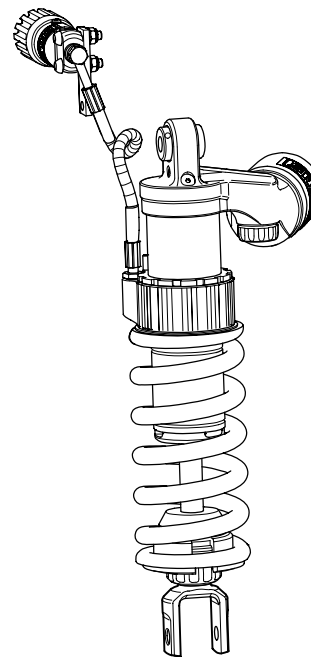
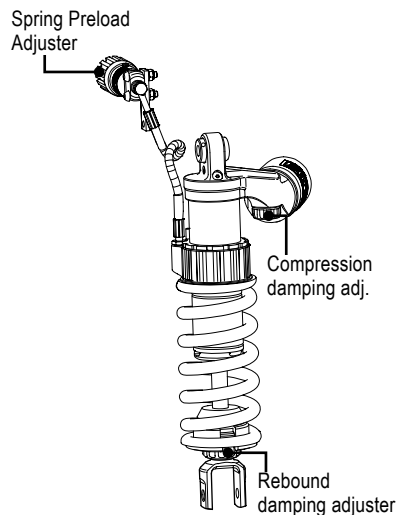


ADJUSTMENTS

⚠ Warning!

Before riding, always make sure that the basic settings made by Öhlins are according to recommended Set-up Data. Read about adjustments and setting up in the Öhlins Owner's Manual before you make any adjustments. Contact an Öhlins dealer if you have any questions about setting up.



Before installing this product, check the contents of the kit. If anything is missing, please contact an Öhlins dealer.

Kit Contents

	Part No	Pcs
Shock absorber	KA 109	1
Washer M6	00153-04	2
Sticker "Öhlins"	00192-01	2
Tie rap	00231-01	2
Screw	01046-36	2
Sticker "memo notes"	01180-01	1
Mounting instruction	01201-01	1
Owner's Manual	07241-02	1

SET-UP DATA

Recommended set-up

Rebound 16clicks
 Compression 14clicks
 Spring Preload..... 12mm

Spring

Part No. 01095-49
 Free spring length..... 180mm

Shock absorber data

Length..... 355.5mm
 Stroke 70.5mm

👁 Note!

Please note that this image is a general representation of the product and may differ slightly from your product.

👁 Note!

Please note that during storage and transportation, especially at high ambient temperature, some of the oil and grease used for assembling may leak and stain the packaging. This is in no way detrimental to the product, wipe off the excessive oil/grease with a cloth.

⚠ Warning!

Before installing this product, read the Öhlins Owner's Manual. The shock absorber/front fork/steering damper is an important part of your vehicle and will affect the stability.

👁 Öhlins products are subject to continuous improvement and development, therefore, although these instructions include the most up-to-date information available at the time of printing, minor updates may occur.

To find the latest information contact an Öhlins distributor. Please contact Öhlins if you have any questions regarding the contents in this document.

Part no. MI_KA109_0
 Issued 2011-10-07



Product for Kawasaki GTR1400 2010-

KA109

Mounting Instructions

© Öhlins Racing AB. All rights reserved. Any reprinting or unauthorized use without the written permission of Öhlins Racing AB is prohibited.

Öhlins Racing AB
 Box 722
 S-194 27 Upplands Väsby, Sweden
 Phone +46 8 590 025 00
 fax +46 8 590 025 80



www.ohlins.com



MOUNTING INSTRUCTIONS

⚠ Warning!

It is advisable to have an Öhlins dealer install the shock absorber/front fork/steering damper.

⚠ Warning!

If working on a raised vehicle, ensure it is securely supported so that it will not tip.

👁 Note!

Before mounting this product clean the vehicle thoroughly.

👁 Note!

When working on this product, always see the Vehicle Service Manual for vehicle specific procedures and important data.

1

Put the motorcycle on a workstand so that the rear wheel barely touches the ground.

2

Remove the silencer.

3

Remove the passenger foot peg on the left side. Loosen the original preload adjuster.

4

Remove the lower attachment of the original shock absorber.

5

Remove the upper attachment and remove the original shock absorber.

6

Mount the Öhlins shock absorber. Lead the preload adjuster through the swing arm on the left side and follow with the shock absorber from the right side. The reservoir should be pointing towards the front, and on the right side of the vehicle.

👁 Note!

It may be necessary to adjust the preload adjuster to maximum while putting the shock absorber in place to get enough clearance for the spring in the swing arm. If you adjust it to maximum, make sure that you readjust it before riding.

7

Mount the attachment bolts, but do not tighten yet.

👁 Note!

Lower the vehicle so that the suspension is slightly compressed before tightening the screws.

8

Tighten the attachment and linkage bolts to the correct torque according to the Kawasaki specs.

9

Remount the silencer.

10

Fasten the hydraulic preload adjuster in the same position as the original unit, see figure. Use the rear mounting hole. Use the screw, nut and washers provided in this kit. Use the tie-raps provided in this kit for the hose.

11

Remount the passenger foot peg.

👁 Caution!

Ensure that all screws are tightened to the correct torque and that nothing fouls or restricts movement of the shock absorber/front fork/steering damper when the suspension is fully compressed or extended.

MOUNTING INSTRUCTIONS

