

👁️ Öhlins products are subject to continuous improvement and development, therefore, although these instructions include the most up-to-date information available at the time of printing, minor updates may occur.

To find the latest information contact your Öhlins distributor. Please consult your Öhlins dealer if you have any questions regarding the contents in this document.

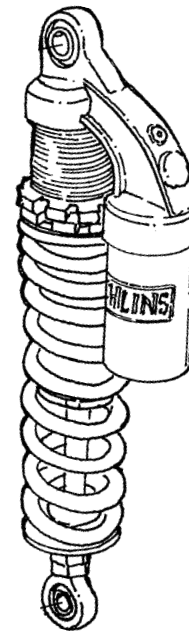
Part no. HD907_0
Issued 2009-05-12

© Öhlins Racing AB. All rights reserved. Any reprinting or unauthorized use without the written permission of Öhlins Racing AB is prohibited.

Öhlins Racing AB
Box 722
S-194 27 Upplands Väsby, Sweden
Phone +46 8 590 025 00
fax +46 8 590 025 80



www.ohlins.com



Before installing this product, check the contents of the kit. If anything is missing, please contact your nearest Öhlins dealer.

Kit Contents

	Part No.	Pcs.
Shock Absorber	HD907	1
Sleeve	00123-13	4
Washer	03118-08	8
Tool preload adj.	03199-01	1
Öhlins Sticker	00192-01	2
Owner's Manual	07241-02	1

Please note that during storage and transportation, especially at high ambient temperature, some of the oil and grease used for assembling may leak and stain the packaging. This is in no way detrimental to the product, wipe off the excessive oil/grease with a cloth.

⚠️ Warning!

Before installing this product, read the Öhlins Owner's Manual. The shock absorber is an important part of your vehicle and will affect the stability.

Shock Absorber for Harley Davidson XR1200 **HD 907**

Mounting Instructions



⚠ Warning!

It is advisable to have an Öhlins dealer install the shock absorber.

When installing, consult your Vehicle Service Manual.

- 1 Put the motorcycle on a workstand so that the rear wheel barely touches the ground.

⚠ Warning!

Make sure the vehicle is securely supported so that it will not tip.

- 2 Remove the original shock absorbers. Consult your Vehicle Service Manual.

👁 Note!

Before installing the Öhlins shock absorber clean the vehicle thoroughly.

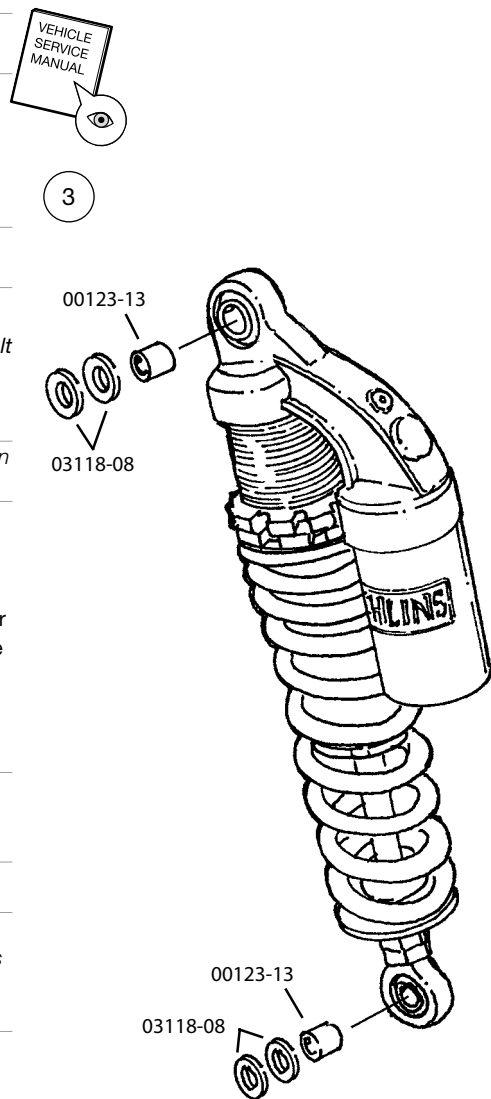
- 3 Install the Öhlins shock absorbers in the same way as the original units. The shock absorber should be installed with the cylinder head at the top and the reservoir towards the rear. Use the washers and sleeves provided in this kit.

👁 Note!

Lower the motorcycle so that the shock absorber is slightly compressed, before tightening the screws.

👁 Caution!

Make sure that all screws are tightened to the correct torque and that nothing fouls or restricts movement of the shock absorber when the suspension is fully compressed or extended.

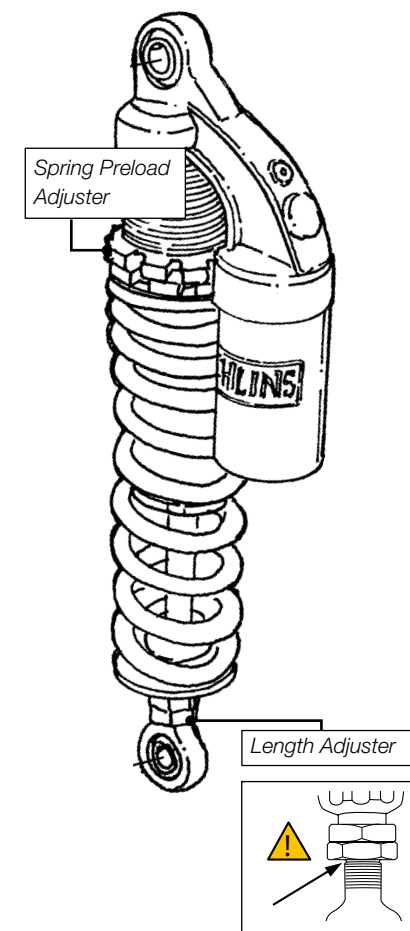


⚠ Warning!

Before riding, always make sure that the basic settings made by Öhlins are according to recommended Set-up Data. Read about adjustments and setting up in the Öhlins Owner's Manual before you make any adjustments. Contact an Öhlins dealer if you have any questions about setting up the shock absorber.

👁 Caution!

The drive belt tension shall only be adjusted when the original shock absorber is installed on the vehicle.



Set-up Data

Recommended set-up

Spring Preload	23 mm	Free Sag (R1-R2)	8 mm
		Ride Height (R1-R3)	37 mm
Shock Absorber Length	360 $\pm 10\%$ mm	👁 Read about Free Sag and Ride height in the Öhlins Owner's Manual.	
Stroke	97		
Free spring length	230 mm		