

Set-up Data

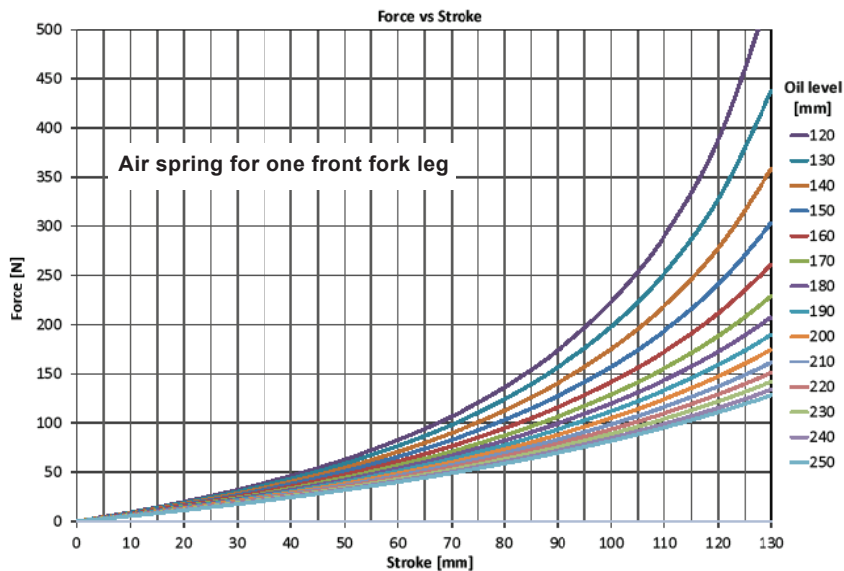
Warning!


Before riding, always make sure that the basic settings made by Öhlins are according to recommended Set-up Data. Read about adjustments and setting up in the Öhlins Owner's Manual before you make any adjustments. Contact an Öhlins dealer if you have any questions about setting up the shock absorber.

Recommended set-up

Compression	12 clicks
Rebound	12 clicks
Spring rate	10 N/mm
Spring preload	5 mm
Oil level	200 mm
Fork leg position	Standard position
Öhlins Front Fork Fluid	part no 01309-01

Diagram - Oil Level - Air Spring Force



 Öhlins products are subject to continuous improvement and development, therefore, although these instructions include the most up-to-date information available at the time of printing, minor updates may occur.

To find the latest information contact an Öhlins distributor. Please contact Öhlins if you have any questions regarding the contents in this document.

Part no. FGR184_2
Issued 2015-05-07

© Öhlins Racing AB. All rights reserved. Any reprinting or unauthorized use without the written permission of Öhlins Racing AB is prohibited.

Öhlins Racing AB
Box 722
S-194 27 Upplands Väsby, Sweden
Phone +46 8 590 025 00
fax +46 8 590 025 80



www.ohlins.com

Before installing this product, check the contents of the kit. If anything is missing, please contact an Öhlins dealer.

Kit Contents

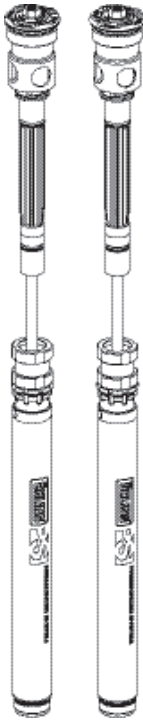
	Part No	Pcs
Front fork kit	FGR184	1
Öhlins Sticker (60x23) white	00191-32	2
Öhlins Sticker (60x23) blue	00191-33	2
Shim	00520-32	2
Spring 10,5N/mm	04744-05	2
Spring 10N/mm	04744-10	2
Spring 9,5N/mm	04744-95	2
Owner's Manual	07286-01	1

Recommended Tools

Cylinder tube holder Ø36 or Soft jaws 28/36	00787-07 00727-09
Top cap tool	00797-08
Pull-up tool	01765-03
Seal head tool	01797-07
Seal head tool	01797-09
Cartridge tool	04702-04
Fork tube tool	00786-05

Note!

Please note that during storage and transportation, especially at high ambient temperature, some of the oil and grease used for assembling may leak and stain the packaging. This is in no way detrimental to the product, wipe off the excessive oil/grease with a cloth.



Warning!

This kit should only be installed by an authorized Öhlins dealer. The installation procedure requires certain tools. Before installing this product, read this document and the Owner's Manual. The front fork is an important part of your vehicle and will affect the stability.

Pressurized Front Fork Kit for Yamaha YZF-R1M

FGR 184

Mounting Instructions



Remove Original Front Fork

Warning!

It is advisable to have an Öhlins dealer install the front fork.

Warning!

Make sure the vehicle is securely supported so that it will not tip.

Note!

When installing, read *Vehicle Service Manual*.

1.1

Put the motorcycle on a workstand so that the front wheel barely touches the ground.

1.2

Remove the front fender, the brake calipers and the front wheel.

1.3

Release the spring preload.

1.4

Loosen the upper fork triple clamp by loosening the screws.

1.5

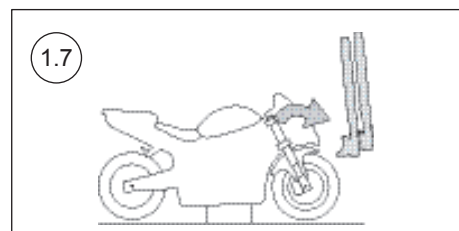
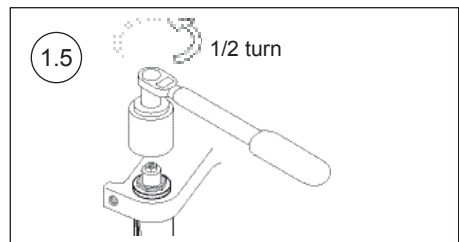
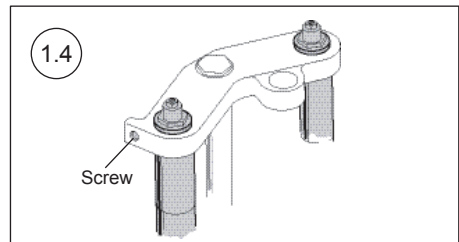
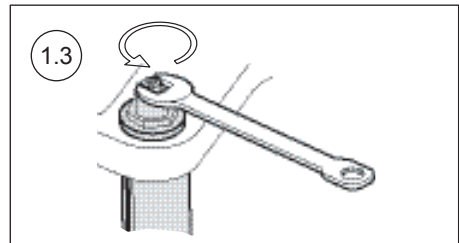
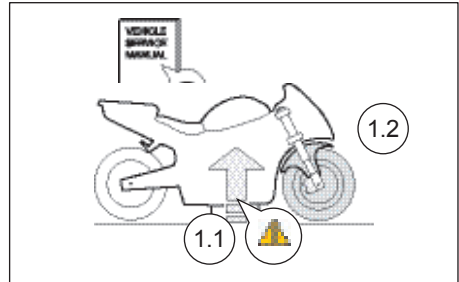
Loosen (do not remove) the top cap 1/2 turn.

1.6

Loosen the lower triple clamp by loosening the screws.

1.7

Remove the front fork legs from the triple clamp.



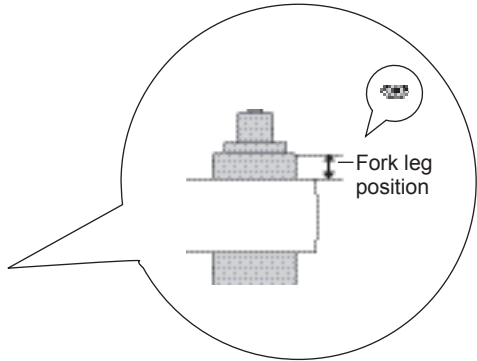
Install Öhlins Front Fork Cartridge Kit

3.13

Install the front fork legs into the triple clamps at the position recommended in set-up data (Fork leg position).
Tightening torque according to Vehicle Service Manual.

Note!

Measure the fork leg position from the upper triple clamp to the top of the outer tube.



Note!

Change on dashboard to conventional suspension.
Turn ignition off.
Hold gray arrow up button + mode button.
Turn ignition on and wait for display to show menu set up mode.
Release gray arrow up button + mode button.
Select "meter" with gray arrow up/down button.
Press gray arrow up button + mode button to go to next menu.
Select 2 for Öhlins and 1 for conventional suspension (this is marked KYB in the menu).
Turn ignition off.

Install Öhlins Front Fork Cartridge Kit

3.5

Tighten the seal head to the cylinder tube extension using tool 01797-07.

Tightening torque 20 Nm

3.6

Pour Öhlins Front Fork fluid into the fork leg and set the oil level. **See set-up data and oil level-force diagram in this folder.**

Note!

Pour the oil slowly and make sure that there are no bubbles in the fork leg.

3.7

Put the preload tube and the spring on top of the cartridge. See set-up data in this folder for the available springs.

3.8

Fasten tool 01765-03 at the top of the shaft extender. Install the spring support by leading it over the tool.

3.9

Pull up the shaft assembly and grab the spring with a 19 mm wrench.

3.10

Open the compression and the rebound adjuster fully. Remove the pull-up tool and install the top cap to the shaft extender.

Tightening torque 15 Nm

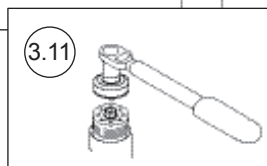
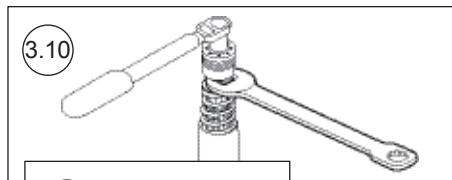
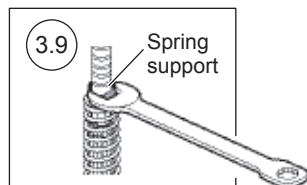
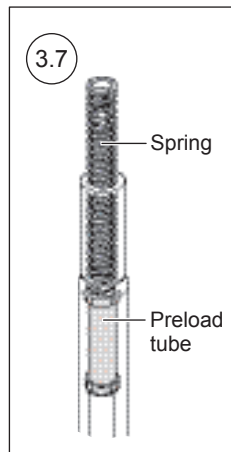
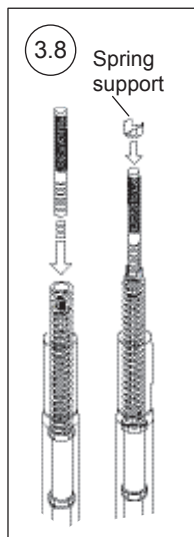
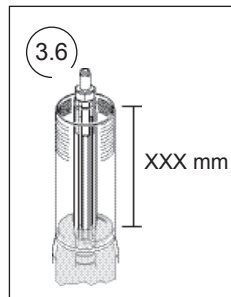
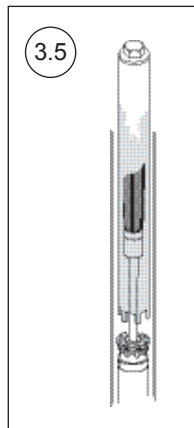
3.11

Pull up the outer tube. Make sure the fork leg is in a fully extended position. Use tool 00797-08 to tighten the top cap to the outer tube.

Tightening torque 10 Nm

3.12

Set the spring preload, rebound and compression adjusters according to set-up data in this manual. Read more about adjustments in the Owner's Manual.



Disassemble Original Front Fork

2.1

Loosen the top cap from the outer tube.

2.2

Pull down the outer tube.

2.3

Use appropriate tool according to your vehicle service manual. Remove the top cap by loosening it from the shaft.

2.4

Remove the spring and surrounding parts from the fork leg.

2.5

Drain the fork leg from oil.

2.6

Use tool 04702-04. Loosen the cartridge.

2.7

Remove the cartridge from the fork leg.

Note!

If the cylinder tube does not follow with the cartridge kit, follow these steps:

2.8

Remove the outer tube

2.9

Install tool 00786-05 (Ø43) on the steel tube, above the holes. Loosen the steel tube from the fork bottom.

Note!

Use a heat gun to soften the Loctite between the steel tube and the fork bottom.

Note!

Do not remove tool 00786-05 from the steel tube yet. You will need it to reinstall the steel tube.

2.10

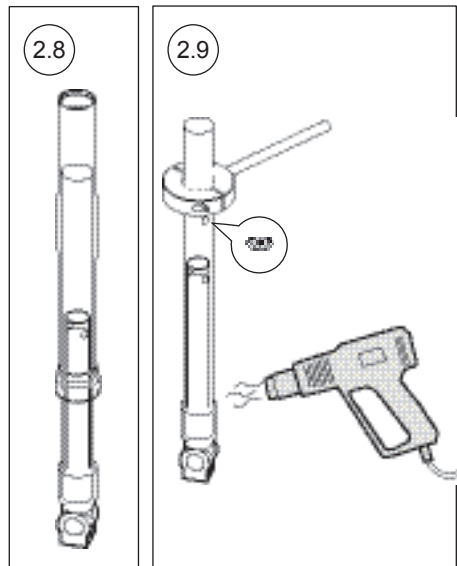
Use appropriate tool (Ø34) and remove the cylinder tube.

2.11

Use tool 00786-05. Reinstall the steel tube.

Loctite 2701

Tightening torque 130Nm



Install Öhlins Front Fork Cartridge Kit

Caution!

Do not mix the parts. Work with only one fork leg at a time.

Caution!

The front fork kit is divided into one compression cartridge and one rebound cartridge.

Make sure to install cartridge marked; "Reb" (Rebound) in the right side fork leg. "Comp" (Compression) in the left side fork leg.

3.1

Remove the top cap.

3.2

Remove the spring support and the preload tube.

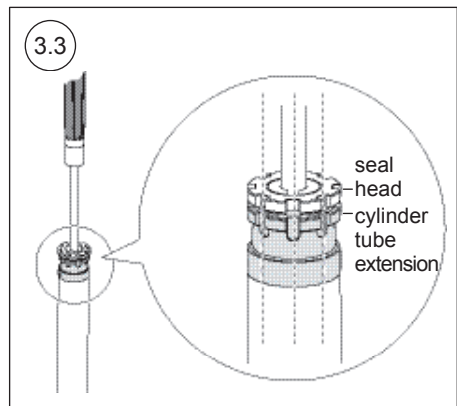
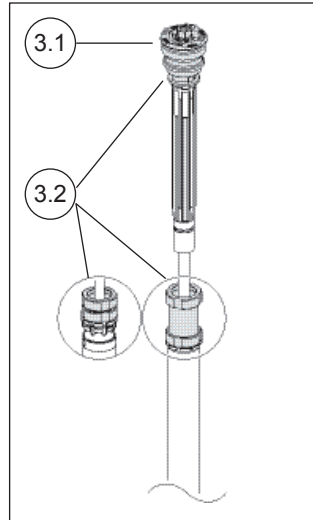
3.3

Loosen the seal head from the cylinder tube extension just enough to align the grooves on the seal head with the grooves on the cylinder tube extension.

Use tool 01797-07 and 00787-07 or 00727-09.

Caution!

Do not loosen the seal head more than is necessary to align the grooves. If you loosen the seal head too much the oil may leak.



Install Öhlins Front Fork Cartridge Kit

3.4

Use a small dab of grease to attach the shim (provided in this kit) to the bottom of the adaptor. *This to avoid the cartridge unit seizing in the fork bottom and making removal easier.*

Note!

When mounting, make sure that the shim stays in place.

3.5

Use tool 01797-09. Install the cartridge into the front fork.

Smear moly-grease or equivalent grease on the adaptor thread.

Tightening torque 30Nm

Note!

Make sure that tool 01797-09 grips both the seal head and the cylinder tube extension.

