

Before installing this product, check the contents of the kit. If anything is missing, please contact your nearest Öhlins dealer.

Kit Contents

	Part No.	Pcs.
Shock absT36PR1C1S	DU 868	1
Öhlins Sticker	00192-01	2
Memo Notes Sticker	01180-01	1
Owner's Manual	07242-01	1

Please note that during storage and transportation, especially at high ambient temperature, some of the oil and grease used for assembling may leak and stain the packaging. This is in no way detrimental to the product, wipe off the excessive oil/grease with a cloth.

⚠ Warning!

Before installing this product, read the Öhlins Owner's Manual. The shock absorber is an important part of your vehicle and may affect the stability of your vehicle.

Shock Absorber for Ducati Multistrada 1200 **DU 868**

Mounting Instructions



How to install

Warning!

It is advisable to have an Öhlins dealer install the shock absorber.

When installing, consult your Vehicle Service Manual.

1

Put the motorcycle on a workstand so that the rear wheel barely touches the ground.

Warning!

Make sure the vehicle is securely supported so that it will not tip.

2

Remove both seats.

3

Remove the left panel below the seat area.

4

Remove the swing arm fender.

5

Remove the two screws holding the original preload adjuster.

6

Remove the lower and the upper attachments of the original shock absorber.

7

Remove the shock absorber.

Note!

Before installing the Öhlins shock absorber clean the vehicle thoroughly.

8

Install the Öhlins shock absorber in the same way as the original unit.

9

Mount the Öhlins preload adjuster to the original bracket using the original screws.

Note!

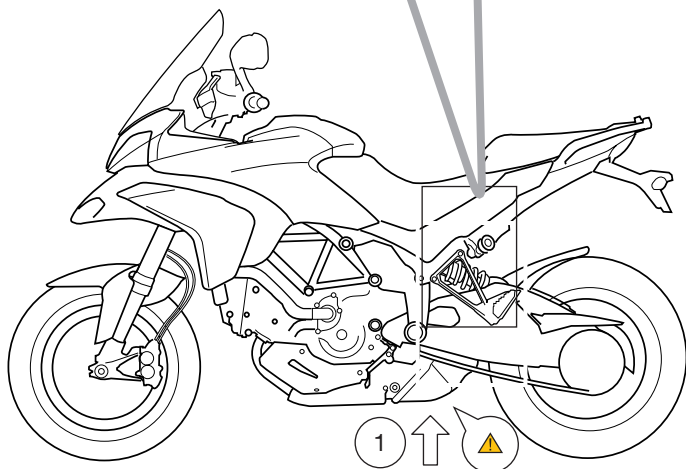
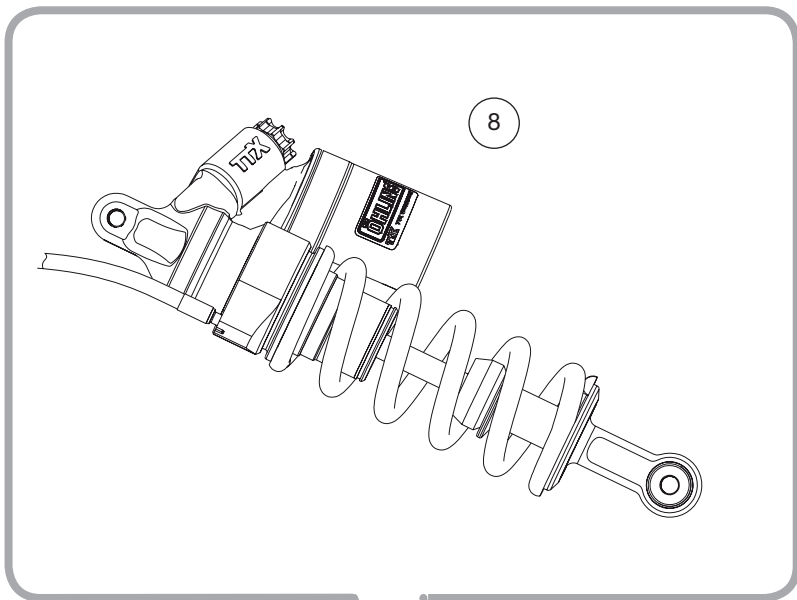
Lower the motorcycle so that the shock absorber is slightly compressed, before tightening the screws.

10

Make sure that all removed parts are reinstalled in the same way as they were before the installation of the Öhlins shock absorber.

Caution!

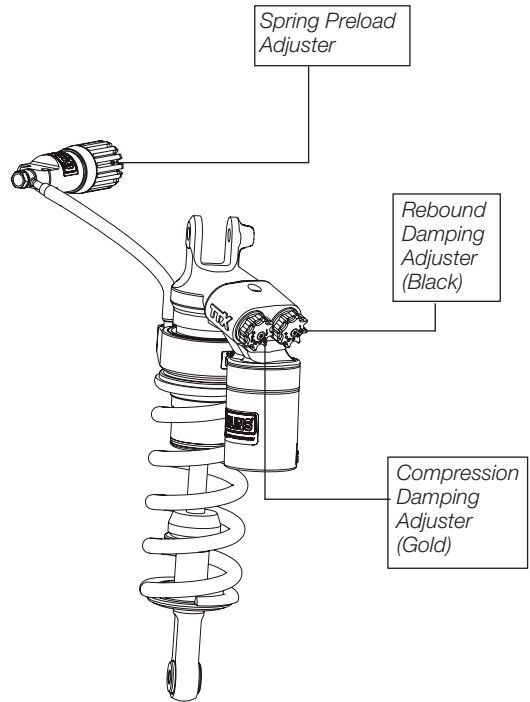
Make sure that all screws are tightened to the correct torque and that nothing fouls or restricts movement of the shock absorber when the suspension is fully compressed or extended.



Adjustments

⚠ Warning!

Before riding, always make sure that the basic settings made by Öhlins are according to recommended Set-up Data. Read about adjustments and setting up in the Öhlins Owner's Manual before you make any adjustments. Contact an Öhlins dealer if you have any questions about setting up the shock absorber.



Set-up Data

Recommended set-up

Spring Preload	13 mm
Compression	14 clicks
Rebound	18 clicks

Spring

Part No.	21729-34
Rate	100 N/mm
Free spring length	182 0/-3 mm

Shock Absorber Data

Length	345 mm
Stroke	70 mm

👁 Öhlins products are subject to continuous improvement and development, therefore, although these instructions include the most up-to-date information available at the time of printing, minor updates may occur.

To find the latest information contact your Öhlins distributor. Please consult your Öhlins dealer if you have any questions regarding the contents in this document.

Part no. DU_868_1
Issued 2014-04-01

© Öhlins Racing AB. All rights reserved. Any reprinting or unauthorized use without the written permission of Öhlins Racing AB is prohibited.

Öhlins Racing AB
Box 722
S-194 27 Upplands Väsby, Sweden
Phone +46 8 590 025 00
fax +46 8 590 025 80



www.ohlins.com