

# Adjustments

## ⚠ Warning!

Before driving, always make sure that the basic settings made by Öhlins are according to recommended Set-up Data. Read about adjustments and setting up in the Öhlins Owner's Manual before you make any adjustments. Contact an Öhlins dealer if you have any questions about setting up the shock absorber.

The standard preload is 2 mm from a free length of 200 mm, giving 198 mm installed length, see fig ③.

## Set-up Data

### Recommended set-up

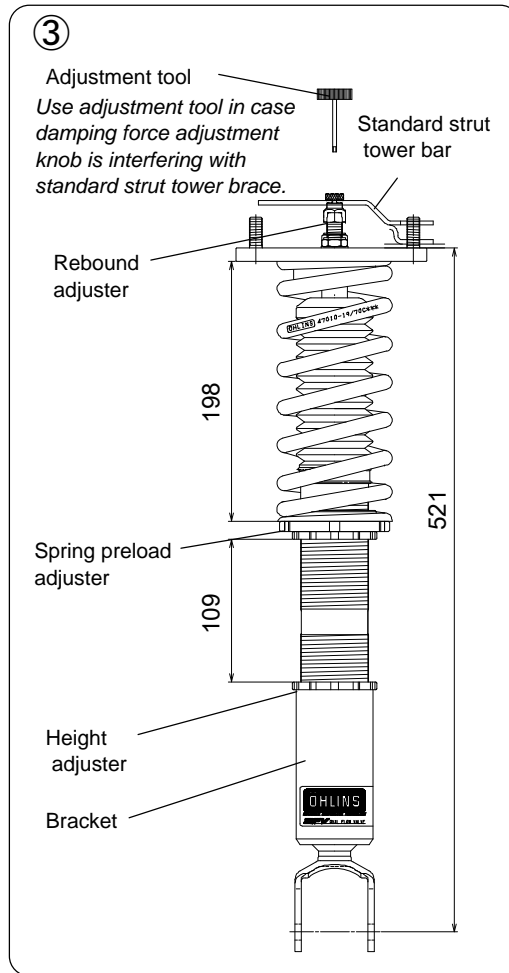
Rebound 10 clicks  
 Spring preload 2 mm  
 Shock absorber length 436 mm  
**Spring**  
 Spec H200, ID65, 70N/mm

### The actual vehicle height

With both the preload and height adjustments in their standard positions, the vehicle is lowered approximately 35 mm when compared to the original suspension. As the height adjuster is turned one rotation, the position moves 1.5 mm.

## ⚠ Warning!

The adjustment range is the standard position  $\pm 15$  mm. If the bracket is moved outside the adjustment range, it may come loose.



Before installing this product, check the contents of the kit. If anything is missing, please contact an Öhlins dealer.



| Kit Contents                       | Pcs. |
|------------------------------------|------|
| Shock absorber                     | 2    |
| Dust boot                          | 2    |
| Top mount                          | 2    |
| Spring                             | 2    |
| Self lock nut M12                  | 2    |
| Adjustment tool                    | 1    |
| Washer (for std top mount)         | 4    |
| Bushing spacer (for std top mount) | 2    |

MOUNTED ON SHOCK ABSORBER  
 Adjuster 2

USED FOR BOTH FRONT AND REAR

|                       |   |
|-----------------------|---|
| C-spanner             | 1 |
| C-spanner             | 1 |
| Öhlins sticker        | 1 |
| Öhlins Owner's Manual | 1 |

Please note that during storage and transportation, especially at high ambient temperature, some of the oil and grease used for assembling may leak and stain the packaging. This is in no way detrimental to the product, wipe off the excess oil/grease with a cloth.

## ⚠ Warning!

Before installing this product, read the Öhlins Owner's Manual. The shock absorber is an important part of your vehicle and will affect the stability.

Öhlins products are subject to continuous improvement and development, therefore, although these instructions include the most up-to-date information available at the time of printing, minor updates may occur.

To find the latest information contact your Öhlins distributor. Please consult your Öhlins dealer if you have any questions regarding the contents in this document.

Part no. MAS MI30\_0  
 Issued 2009-05-05



© Öhlins Racing AB. All rights reserved. Any reprinting or unauthorized use without the written permission of Öhlins Racing AB is prohibited.

Öhlins Racing AB



[www.ohlins.com](http://www.ohlins.com)

Shock Absorber Kit for Mazda Roadster / MX / Miata (NC)

# MAS MI30 front

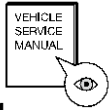
## Mounting Instructions



# How to install

## ⚠ Warning!

It is advisable to have an Öhlins dealer install the shock absorber.  
When installing, read your Vehicle Service Manual.



- 1 Raise the vehicle and put it on jack stands.

## ⚠ Warning!

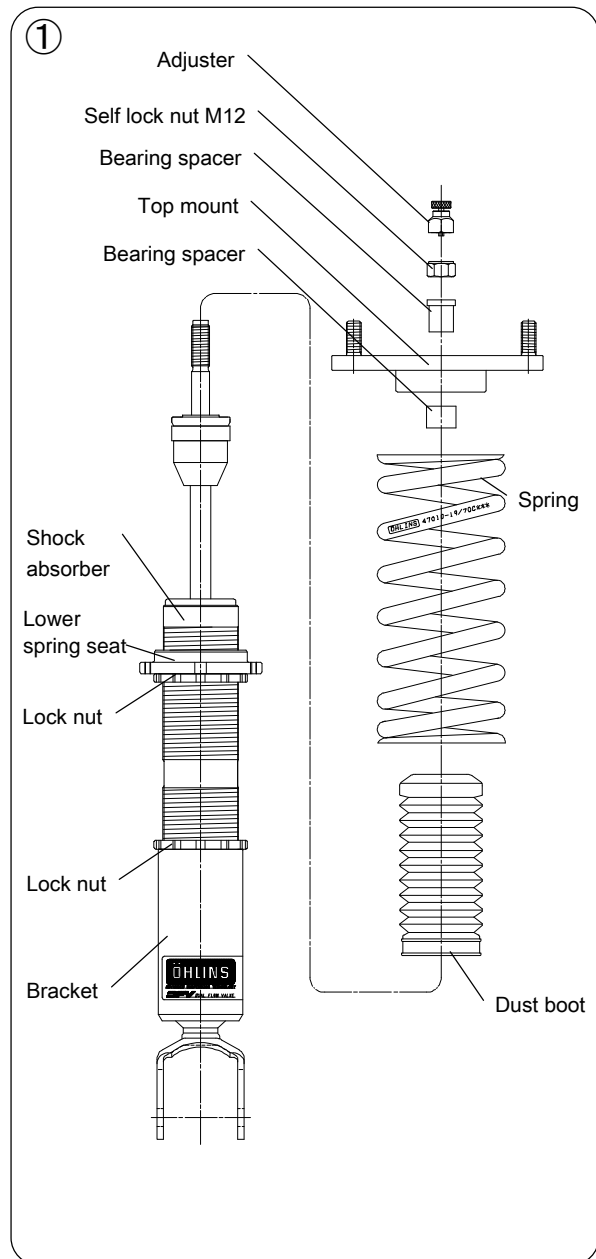
Ensure that it is securely supported.

- 2 Remove the front wheels.
- 3 Remove the lower and the upper attachments and remove the original shock absorbers.
- 4 Tighten the lower spring seat and the lock nut to 50 - 60 Nm.  
Fit the bushing spacers, the dust boot, the spring, the top mount and the adjuster according to fig ①. Tighten the Self lock nut to 30 Nm. If the standard top mount is used, refer to fig ②.

## 👁 Note!

When tightening the top mount nut, the shock absorber shaft must be held in position with a 4 mm Allen key.

- 5 Install the Öhlins shock absorbers on the vehicle.
- 6 Fasten the upper attachments.



# How to install

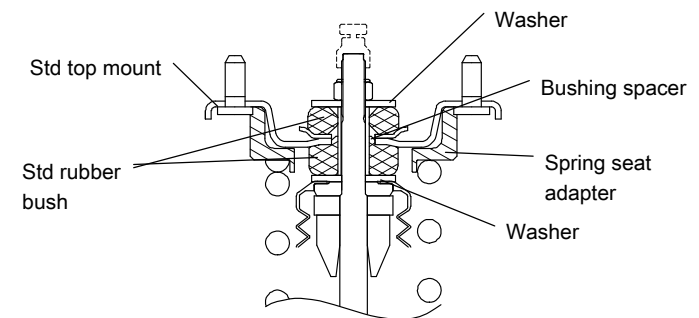
## 👁 Note!

Make sure that all bolts are tightened to the correct torque and that nothing fouls or restricts movement of the shock absorber when it is being fully compressed or extended.

- 7 Make sure that all removed parts are reinstalled in the same way as they were before the installation of the Öhlins shock absorber.

## ② For standard top mount use

Bushing spacer and 2pcs of washer in the parts kit should be used.



## 👁 Note!

A spring seat adapter is required for the standard top mount. It is not included in the damper kit.

# Adjustments

## ⚠ Warning!

Before driving, always make sure that the basic settings made by Öhlins are according to recommended Set-up Data. Read about adjustments and setting up in the Öhlins Owner's Manual before you make any adjustments. Contact an Öhlins dealer if you have any questions about setting up the shock absorber.

The standard preload is 2 mm from a free length of 200 mm, giving 198 mm installed length, see fig ③.

## Set-up Data

### Recommended set-up

Rebound 10 clicks  
Spring preload 2 mm  
Shock absorber length 335 mm

### Spring

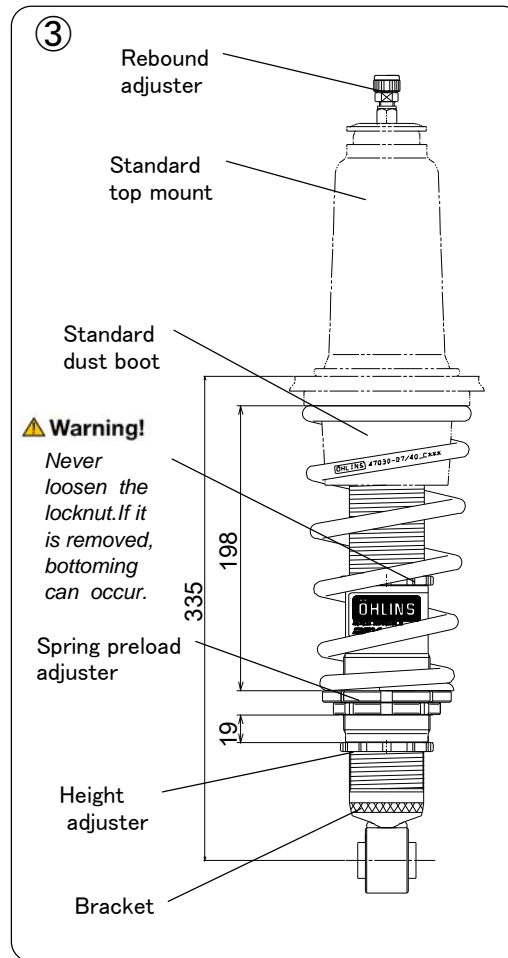
Spec H200, ID70\_100, 40 N/mm

### The actual vehicle height

With both the preload and height adjustments in their standard positions, the vehicle is lowered approximately 35 mm when compared to the original suspension. As the height adjuster is turned one rotation, the position moves 1.5 mm.

## ⚠ Warning!

The adjustment range is the standard position -15 to +10 mm. If the bracket is moved outside the adjustment range, it may come loose.



Before installing this product, check the contents of the kit. If anything is missing, please contact an Öhlins dealer.

| Kit Contents                        | Pcs. |
|-------------------------------------|------|
| Shock absorber                      | 2    |
| Spring                              | 2    |
| Nylon nut M10                       | 2    |
| Washer ( t3.2 )                     | 2    |
| Bushing spacer ( t35 )              | 2    |
| Washer ( t4.5 )                     | 2    |
| Bushing spacer ( t14 )              | 2    |
| <b>MOUNTED ON SHOCK ABSORBER</b>    |      |
| Adjuster                            | 2    |
| <b>USED FOR BOTH FRONT AND REAR</b> |      |
| C-spanner                           | 1    |
| C-spanner                           | 1    |
| Öhlins sticker                      | 1    |
| Öhlins Owner's Manual               | 1    |

Please note that during storage and transportation, especially at high ambient temperature, some of the oil and grease used for assembling may leak and stain the packaging. This is in no way detrimental to the product, wipe off the excess oil/grease with a cloth.

## ⚠ Warning!

Before installing this product, read the Öhlins Owner's Manual. The shock absorber is an important part of your vehicle and will affect the stability.

👁 Öhlins products are subject to continuous improvement and development, therefore, although these instructions include the most up-to-date information available at the time of printing, minor updates may occur.

To find the latest information contact your Öhlins distributor. Please consult your Öhlins dealer if you have any questions regarding the contents in this document.

Part no. MAS MI30\_0  
Issued 2009-05-05



Shock Absorber Kit for Mazda Roadster / MX / Miata (NC)

# MAS MI30 rear

## Mounting Instructions

© Öhlins Racing AB. All rights reserved. Any reprinting or unauthorized use without the written permission of Öhlins Racing AB is prohibited.

Öhlins Racing AB



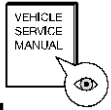
[www.ohlins.com](http://www.ohlins.com)



# How to install

## ⚠ Warning!

It is advisable to have an Öhlins dealer install the shock absorber.  
When installing, read your Vehicle Service Manual.



- 1 Raise the vehicle and put it on jack stands.

## ⚠ Warning!

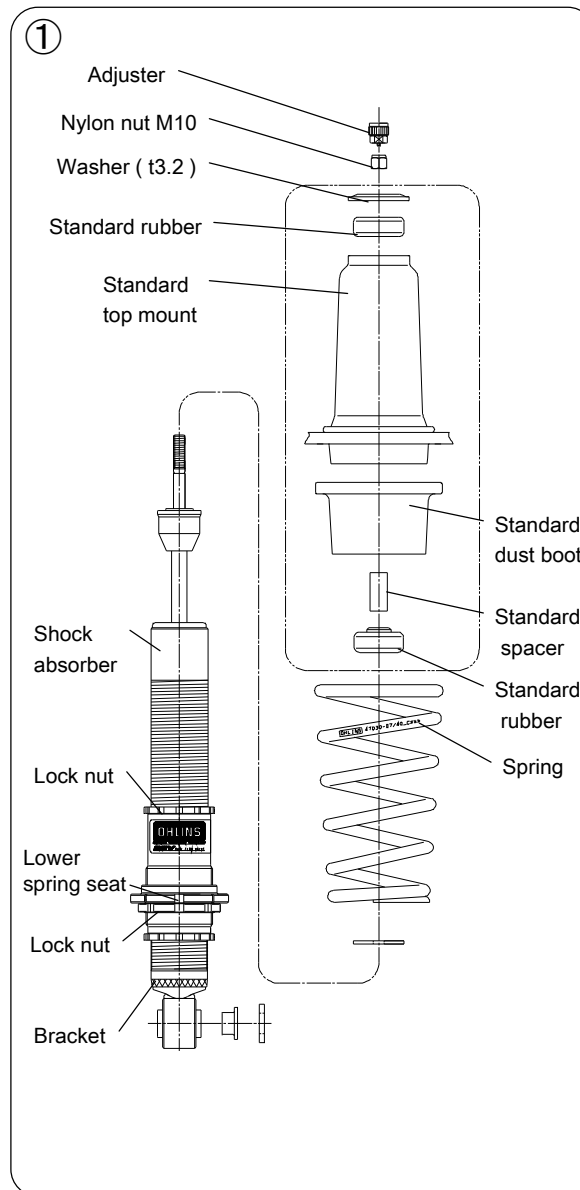
Ensure that it is securely supported.

- 2 Remove the rear wheels.
- 3 Remove the lower and the upper attachments and remove the original shock absorbers.
- 4 Cut the dust boot 62 mm from the lower end with a pair of scissors according to fig ②.
- 5 Tighten the lower spring seat and the lock nut to 50 - 60 Nm.  
Fit the bushing spacers, the dust boot, the spring, the top mount and the adjuster according to fig ①. Tighten the nylon nut to 20 Nm.

## 👁 Note!

When tightening the top mount nut, the shock absorber shaft must be held in position with a 4 mm Allen key.

- 6 Install the Öhlins shock absorbers on the vehicle.
- 7 Fasten the upper attachments.



## 👁 Note!

Make sure that all bolts are tightened to the correct torque and that nothing fouls or restricts movement of the shock absorber when it is being fully compressed or extended.

## 8

Make sure that all removed parts are reinstalled in the same way as they were before the installation of the Öhlins shock absorber.

