

Kit Contents

	Description	Part No	Pcs
1	Shock absorber	AUV 5S0	2
2	Helper spring		2
3	Spring support	05193-07	2
4	Main spring		2
5	Spring retainer	05907-05	2
6	Brake hose spacer	18061-16	2
7	M6x30 Screw	01046-61	2
8	Owner's manual	07446-01	1
9	Öhlins sticker kit	10207-01	1
10	Öhlins emblem kit	10207-02	1

👁 Note!

Please note that there can be small differences between your product and the images in these instructions.

👁 Note!

Please note that during storage and transport, especially at high ambient temperature, some of the oil and grease used for assembly may leak and stain the packaging. This will not cause damage to the product, wipe off the excessive oil or grease with a cloth.

👁 Note!

Before you install this product, check the kit contents. If anything is missing, please contact an Öhlins dealer.

⚠ Warning!

Before you install this product, read the Öhlins Owner's manual. This product is an important part of the vehicle and the vehicle stability.

Shock absorber for Audi R8 4.2 FSI Quattro 2006-2012

AUV MS00 front

Mounting Instructions



MOUNTING INSTRUCTIONS

⚠ Warning!

We strongly recommend to let an Öhlins dealer install this product.

⚠ Warning!

If you work with a lifted vehicle, make sure that it is safely supported to prevent it from tipping over.

👁 Note!

When you work with this product, see the vehicle service manual for vehicle specific procedures and important data.

👁 Note!

Before you install this product clean the vehicle.

1

Raise the vehicle and put it on jack stands.

2

Remove the wheels.

3

Loosen the bolt for the lower shock attachments.

👁 Note!

Support the wheel hubs in an appropriate way on each side of the vehicle so that the brake hoses can not be damaged.

4

Loosen the upper attachments. Remove the original shock absorbers from the car.

5

Install the helper spring, spring support, main spring and spring retainer according to fig. 1. Some force to compress the helper spring may be needed during this operation.

6

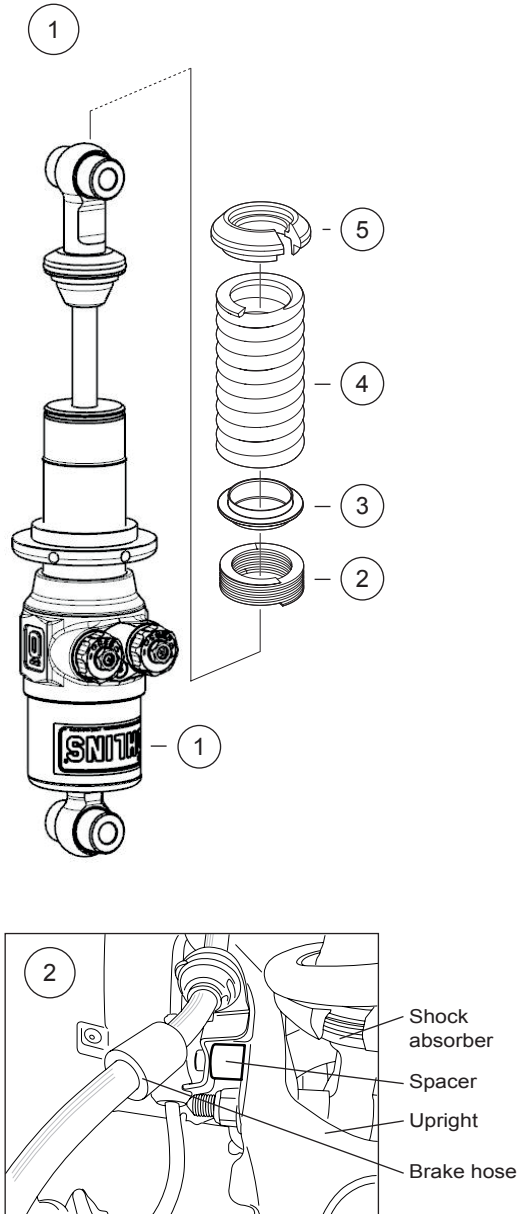
Loosen the brake hose bracket from the upright on the car and install the supplied spacer and longer screw according to Fig. 2.

7

Install the Öhlins shock absorber to the vehicle.

8

Fasten the upper attachments.



MOUNTING INSTRUCTIONS

9

Fasten the lower attachments.

Note!

Make sure that all bolts are tightened to the correct torque and that nothing fouls or restricts movement of the strut when it is being fully compressed or extended. Test this over the whole steering range from lock to lock. Some of the original bolts need to be replaced when removed. See the service manual for your vehicle or contact an Öhlins dealer.

10

Make sure that all removed parts are reinstalled in the same way as they were before the installation of the Öhlins shock absorber.

11

Reinstall the wheel.

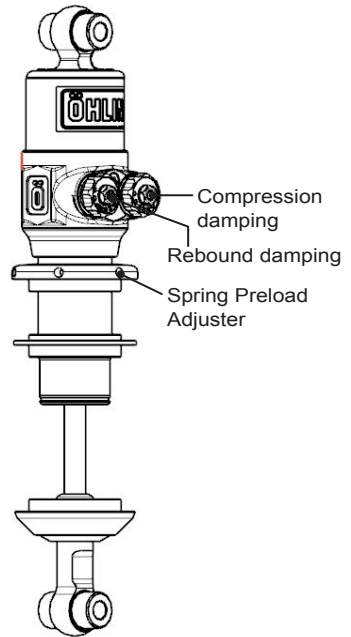
Note!

If the car originally is equipped with electronic suspension, there will be an error indication on the dashboard since the electrical wires are disconnected. Install Öhlins cancellation kit 35020-17 to remove the fault code.

ADJUSTMENTS

⚠ Warning!

Before you ride/drive, always make sure that the setup is according to the recommended setup data. Read about adjustments and setting up in the Öhlins Owner's Manual before you make any adjustments. Contact an Öhlins dealer if you have any questions about setting up.



SETUP DATA

	Street	Track
Compression damping	15 clicks	10 clicks
Rebound damping	15 clicks	10 clicks

Recommended Springs

Main Spring

Length	Rate	Öhlins#	Eibach#
120 mm	140 N/mm	48120-25	ERS-120-60-0140

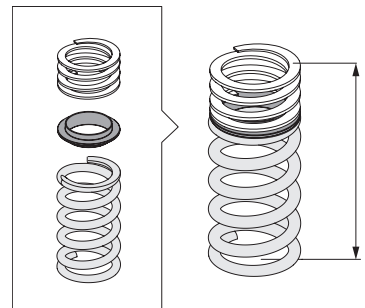
Helper spring

Length	Rate	Öhlins#	Eibach#
60 mm	2 N/mm	05173-12	ERS-60-60-0002

Recommended installed spring package length

140 mm

Measured from upper edge of helper spring to lower part of main spring. Adjust the spring preload adjuster until desired installed spring package length is achieved.



Öhlins products are subject to continuous improvement and development, therefore, although these instructions include the most up-to-date information available at the time of printing, minor updates may occur.

To find the latest information contact an Öhlins distributor. Please contact Öhlins if you have any questions regarding the contents in this document.

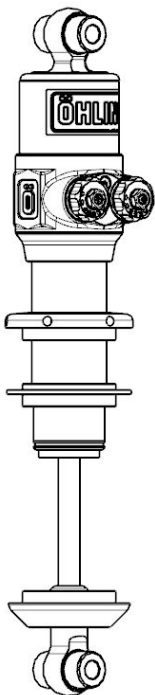
Part no. MI_AUV MS00_0
Issued 2018-01-23

© Öhlins Racing AB. All rights reserved. Any reprinting or unauthorized use without the written permission of Öhlins Racing AB is prohibited.

Öhlins Racing AB
Box 722
S-194 27 Upplands Väsby, Sweden
Phone +46 8 590 025 00
fax +46 8 590 025 80



www.ohlins.com



Kit Contents			
	Description	Part No	Pcs
1	Shock absorber	AUV 6S00	2
2	Helper spring		2
3	Spring support	05193-07	2
4	Main spring		2
5	Spring retainer	05907-05	2

👁 Note!

Please note that there can be small differences between your product and the images in these instructions.

👁 Note!

Please note that during storage and transport, especially at high ambient temperature, some of the oil and grease used for assembly may leak and stain the packaging. This will not cause damage to the product, wipe off the excessive oil or grease with a cloth.

👁 Note!

Before you install this product, check the kit contents. If anything is missing, please contact an Öhlins dealer.

⚠ Warning!

Before you install this product, read the Öhlins Owner's manual. This product is an important part of the vehicle and the vehicle stability.

Shock absorber for Audi R8 4.2 FSI Quattro 2006-2012

AUV MS00 rear

Mounting Instructions



MOUNTING INSTRUCTIONS

⚠ Warning!

We strongly recommend to let an Öhlins dealer install this product.

⚠ Warning!

If you work with a lifted vehicle, make sure that it is safely supported to prevent it from tipping over.

👁 Note!

When you work with this product, see the vehicle service manual for vehicle specific procedures and important data.

👁 Note!

Before you install this product clean the vehicle.

1

Raise the vehicle and put it on jack stands.

2

Remove the wheels.

3

Loosen the bolt for the lower shock attachments.

👁 Note!

Support the wheel hubs in an appropriate way on each side of the vehicle so that the brake hoses can not be damaged.

4

Loosen the upper attachments. Remove the original shock absorbers from the car.

5

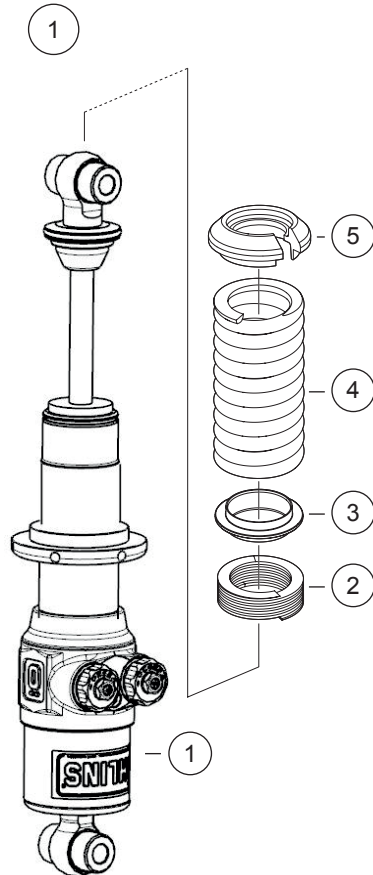
Install the helper spring, spring support, main spring and spring retainer according to fig. 1. Some force to compress the helper spring may be needed during this operation.

6

Install the Öhlins shock absorber to the vehicle.

7

Fasten the upper attachments.



MOUNTING INSTRUCTIONS

8

Fasten the lower attachments.

👁 Note!

Make sure that all bolts are tightened to the correct torque and that nothing fouls or restricts movement of the strut when it is being fully compressed or extended. Test this over the whole steering range from lock to lock. Some of the original bolts need to be replaced when removed. See the service manual for your vehicle or contact an Öhlins dealer.

9

Make sure that all removed parts are reinstalled in the same way as they were before the installation of the Öhlins shock absorber.

10

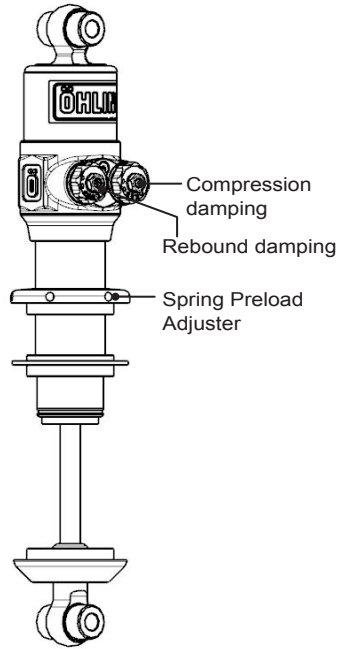
Reinstall the wheel.

👁 Note!

If the car originally is equipped with electronic suspension, there will be an error indication on the dashboard since the electrical wires are disconnected. Install Öhlins cancellation kit 35020-17 to remove the fault code.

⚠ Warning!

Before you ride/drive, always make sure that the setup is according to the recommended setup data. Read about adjustments and setting up in the Öhlins Owner's Manual before you make any adjustments. Contact an Öhlins dealer if you have any questions about setting up.



SETUP DATA

	Street	Track
Compression damping	15 clicks	10 clicks
Rebound damping	15 clicks	10 clicks

Recommended Springs

Main Spring

Length	Rate	Öhlins#	Eibach#
140 mm	140 N/mm	48140-25	ERS-140-60-0140

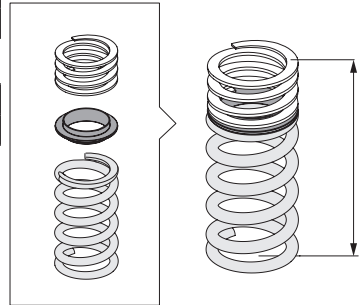
Helper spring

Length	Rate	Öhlins#	Eibach#
60 mm	2 N/mm	05173-12	ERS-60-60-0002

Recommended installed spring package length

168 mm

Measured from upper edge of helper spring to lower part of main spring. Adjust the spring preload adjuster until desired installed spring package length is achieved.



Öhlins products are subject to continuous improvement and development, therefore, although these instructions include the most up-to-date information available at the time of printing, minor updates may occur.

To find the latest information contact an Öhlins distributor. Please contact Öhlins if you have any questions regarding the contents in this document.

Part no. MI_AUV MS00_0
Issued 2018-01-23

© Öhlins Racing AB. All rights reserved. Any reprinting or unauthorized use without the written permission of Öhlins Racing AB is prohibited.

Öhlins Racing AB
Box 722
S-194 27 Upplands Väsby, Sweden
Phone +46 8 590 025 00
fax +46 8 590 025 80



www.ohlins.com